

Description

Mechanical structure:

Signal contact spring fix inside the body with PTFE together by assemble function.

POM covers around the body to isolate the metal panel.

The jack is through the opening gap from inside of the panel, tighten by washers and pentagram nut.

A ring and a screw were temporary locked, also able to adjust into solder type or keep lock directly based on your need.

NOTE:

This product is suitable for diameter 12 mm circular opening gap of the panel.

This product is suitable for the maximum 3.5 mm thickness of the panel.

The torque for the nut on this product can be reach to maximum 8 (lb-in).

Please noted, it will cause component damage if force to lock tighten too much.

Screws with the finished products.

(3/4 mm 4 screws per each)

Assembly:

1.remove the nut [111]and washer[121]

2.1. For solder type: Please remove the ring [311&312] and the screw[321&322] first while soldering cable.

2.2.For screw type: Please remain the ring [311&312] and the screw[321&322].

3.please put the body [211] through the opening gap from the inside of plate.

4.please lock the nut and washer on the body, no need to fasten them in order fine tuning later,

5.1.for solder type: please solder the cable(without jacket)

5.2. Please lock the cable (without jacket) after loose the screw on the ring, Please turning the body to obtain the space to lock another screw.

6.please lock the nut.



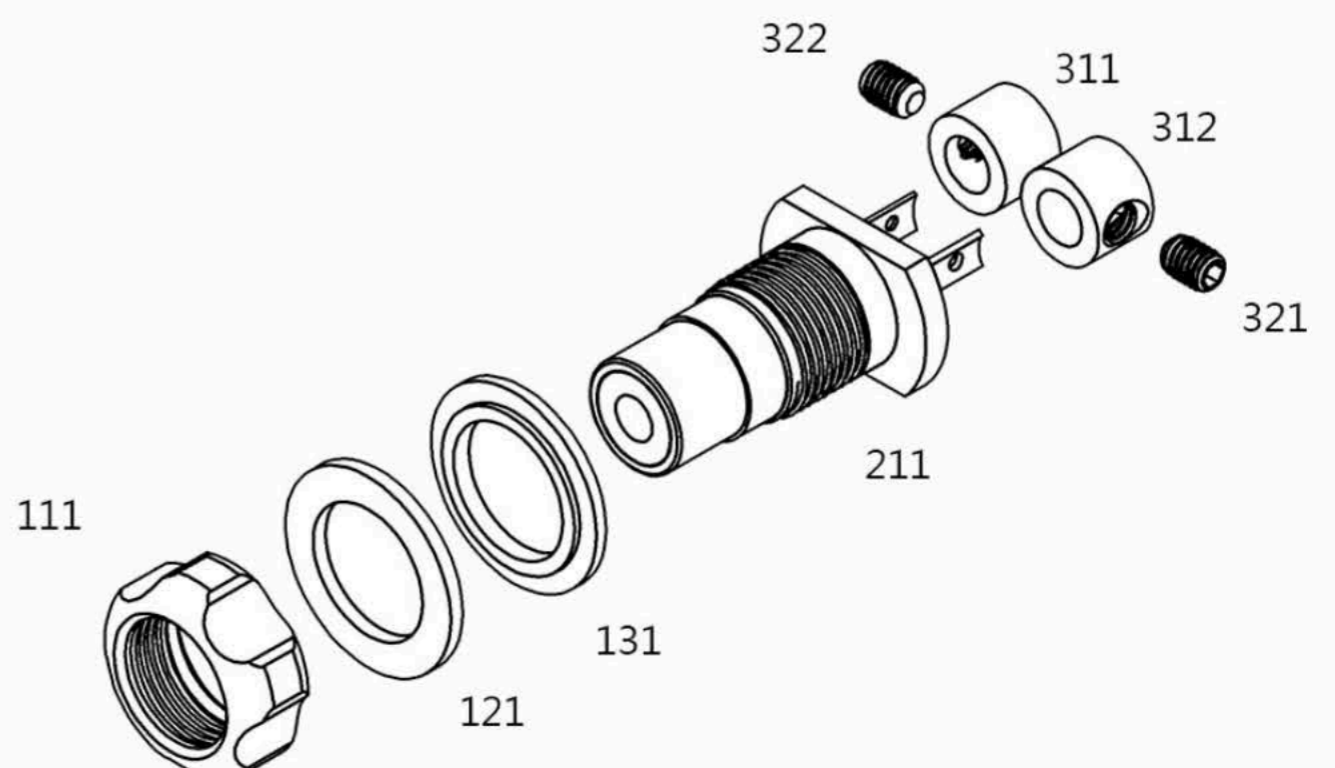
aeco RCA Plug ARJ-4045G



aeco RCA Plug ARJ-4045R



aeco RCA Plug ARJ-4045S



Material:

Contact Pin: Copper (#C1100 / copper contains over 99.5%)

Grounding: Tellurium Copper (#C14500 / copper contains over 99%)

Insulator: PTEF (White)

Shell: POM (Black)

Washer: PE(White / Red)

Nut: Brass alloy (#C3604)

Ring: Brass alloy (#C3604)

Screw: Brass alloy (#C3604)

Finish:

ARJ-4045G

Contact Pin: 10u" Gold plating (no nickel base)

Grounding: 10u" Gold plating (no nickel base)

Ring: 3u" Gold plating (no nickel base)

Screw: 3u" Gold plating (no nickel base)

ARJ-4045R

Contact Pin: Rhodium plating (no nickel base)

Grounding: Rhodium plating (no nickel base)

Ring: 120u" Silver plating (no nickel base)

Screw: 120u" Silver plating (no nickel base)

ARJ-4045S

Contact Pin: 120u" Silver plating (no nickel base)

Grounding: 120u" Silver plating (no nickel base)

Ring: 120u" Silver plating (no nickel base)

Screw: 120u" Silver plating (no nickel base)

Insulator: None

Shell: None

Washer: None

Nut: Satin Nickel + Topcoat

Electrical Characteristics:

Contact resistance < 0.3 mOhm (It was test by ARP-4045.)

Dimension:

Biggest OD 15.0mm

Total Length 29.0mm

Packing:

Vacuum Bag(2Pcs/1Set)