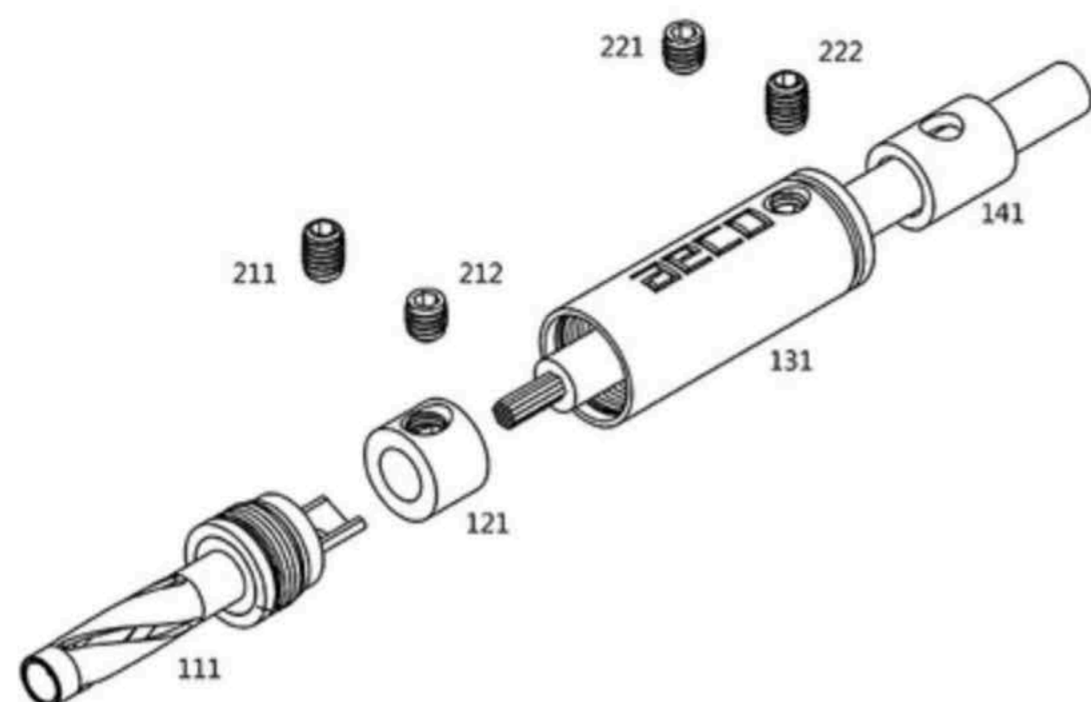


PLEASE NOTE: THESE CONNECTORS ARE DESIGNED FOR USE WITH 4MM SOCKETS NOT 4.1MM

Lathed in one piece. Crosscutting part with spiral pattern design. Unique Design allows cable to be secured by grub screw or solder. Contact is completely insulated from outer shell High Purity copper directly Gold plated.



Assembly:

1. We recommend to peel off the cable jacket and appear conductor part about 6mm.
2. This product is suitable for cable OD which is less than 6.3mm. Please remove the sleeve (141) if the cable OD is more than 4.3mm.
3. Please put the cable through the shell (131)
- 4.1. For solder type:
Please remove the ring [121] and the screw [211 / 212] before you solder the cable (without jacket) on L shape crosscutting.
- 4.2. For screw type:
Please lock the cable (without jacket) in the ring [121] with a screw [211 / 212].
5. Please lock the shell on body set [111].
6. Please fix the cable and shell through screw [222 / 221].

Material:

Body: Tellurium Copper (#C14500 / copper contains over 99%)

Head lock: POM

Ring: Brass alloy (#C3604)

Shell: Brass alloy (#C3604)

Screw for conductor: Brass alloy (#C3604)

Screw for cable: Iron

Finished:

ABP-1111

Body: 10u" Gold plating (no nickel base)

Ring: 3u" Gold plating (no nickel base)

Screw for conductor: 3u" Gold plating (no nickel base)

Electrical Characteristics:

Contact resistance <lt; 0.3 mOhm (It was test by ABI-0601.)

Dimension:

Biggest OD 9.0mm

Cable hole without sleeve 6.5mm

Cable hole with sleeve 4.5mm

Total Length 43.0mm

Packing:

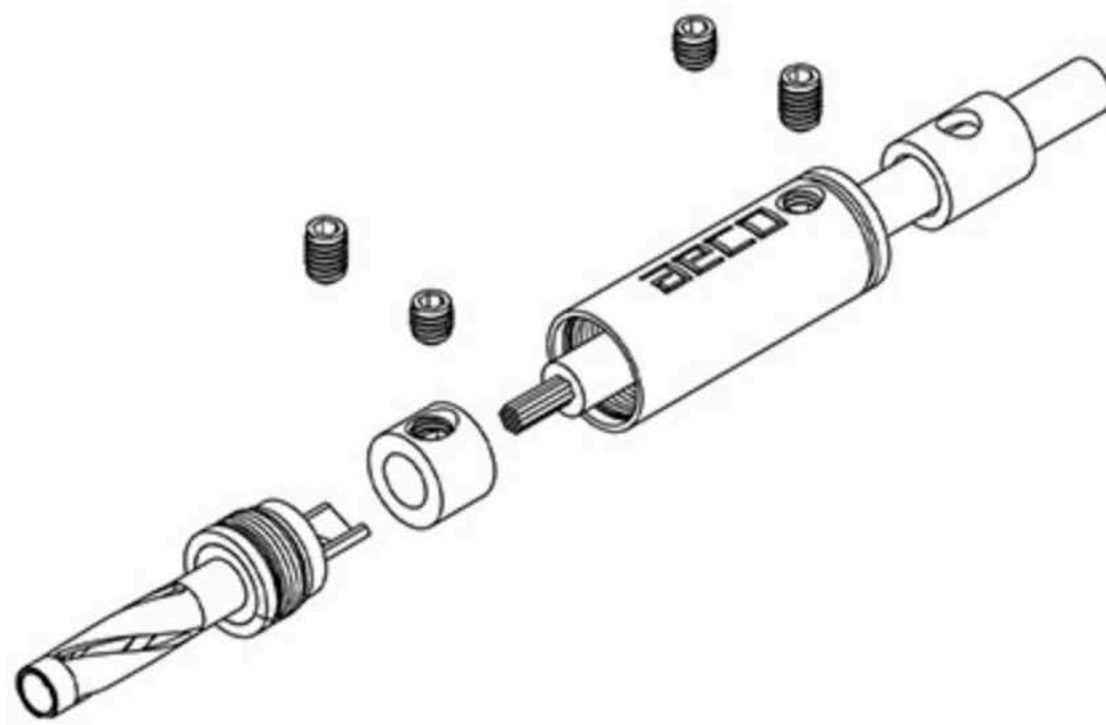
Vacuum Bag (4Pcs/1Set)

Recommend soldering temperature:

Temperature Soldering Iron, please keep 400 °C within 8-10 second.

Temperature Soldering Iron, please keep 450 °C within 8-10 second.

Please shore up the body by solder equipment to avoid the high temperature caused the POM lock head deformed.



Technical characteristics

SPECIFICATIONS

Product type	Banana plugs
Contact material	Tellurium copper
Contacts plating	Rhodium
Contacts resistance	< 0.3mΩ
Body material	Brass alloy
Isolation	POM
Mounting type	To screw or to weld
Max. cable diameter	Without reducer: Ø6.5mm With reducer: Ø4.5mm
Max. conductor diameter	To screw: Ø3.5mm To weld: Ø5mm

GENERAL

Total dimensions	Ø9 x 43mm
Color	Silver
Quantity	Set x4