

Description

Mechanical structure

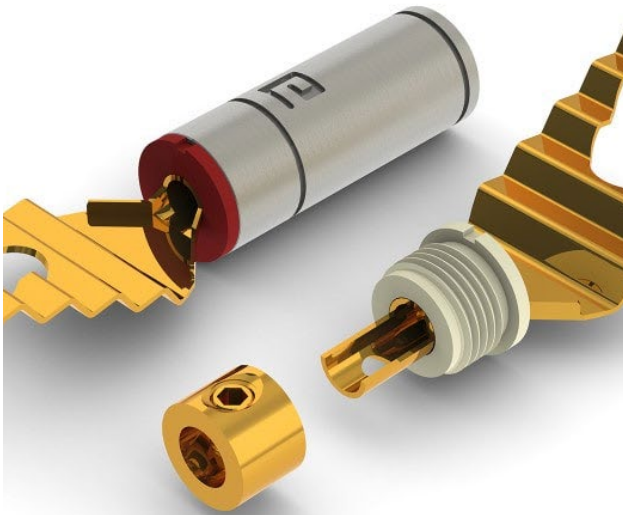
The Y spade interface with wave design that it can work well with binding post.

The middle area of Y spade with through hole that it be used to fix the disassemble headlock with dovetail joint design.

After assembling the headlock that it can screw-in shell.

A ring and a screw were temporary locked so that is able to adjust into solder or keep lock directly based on your need.

POM sleeve is tighten with shell end together by screw.

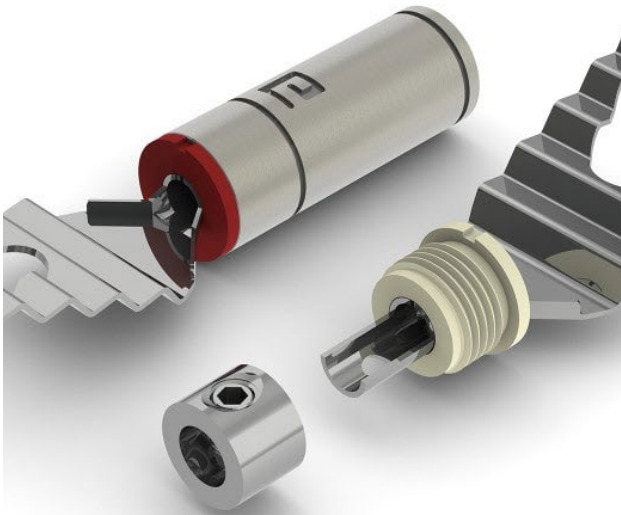


SP-1931G

Note

In order to avoid the fracture of Y spade interface due to the metal fatigue, please don't over bend the Y spade interface.

The torque for the wave design of interface can be reach



P-1931R

to maximum 6 (lb-in).

In order to avoid the insulation headlock melts during the solder process, the insulation headlock can be disassembled temporarily.

This product is include:

screw for conductor (3/4 mm) (4 pieces each)

screw for cable (3/4 mm) (4 pieces each)

Assembly

1. We recommend to peel off the cable jacket and appear conductor part about 6mm [201] .
2. This product is suitable for cable OD which is less than 6.3mm. Please remove the sleeve [171] if the cable OD is more than 4.3mm.
3. Please put the cable through the shell [161]

<Solder type >

4.1.1 Please remove the ring [131] and the screw [141 / 142]

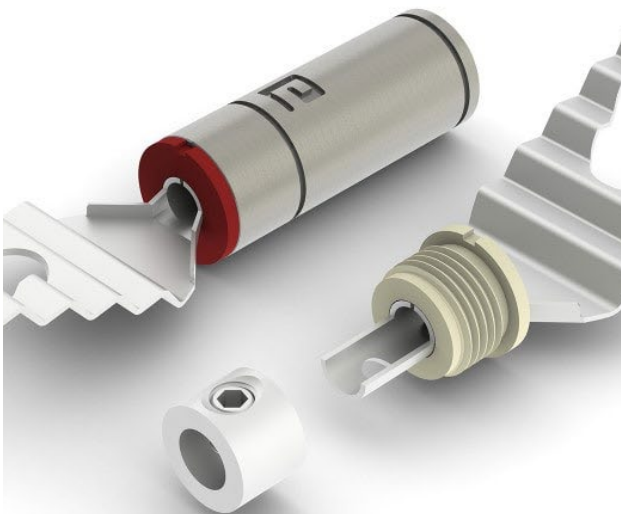
4.1.2. In order to avoid the melts during the solder process, the insulation headlock [121 / 122] can be disassembled temporarily.

4.1.3. Y spade body [111] put on the jig tool then start for the solder process.

4.1.4. Wait until the solder materials cool down.

4.1.5. Please noted that the disassemble headlock can split to bottom [122] and top [121] , and the bottom and top part with different dovetail joint design and directionality.

4.1.6 The headlock bottom part and top part can assemble on the Y spade body well through dovetail joint design



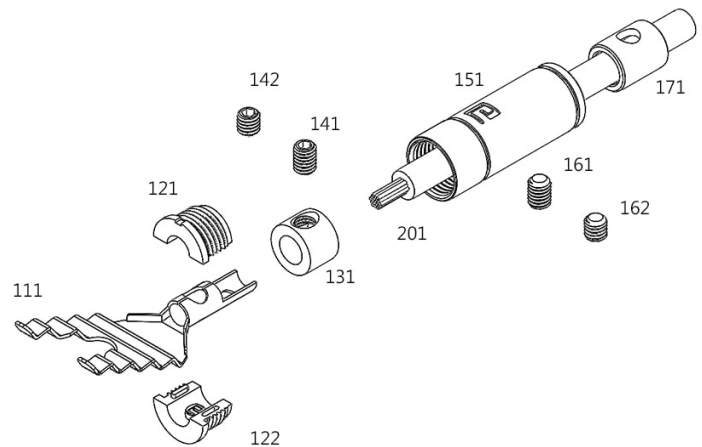
P-1931S

<Screw locking type >

4.2 Put the cable conductor on cross cutting shape place, and lock the conductor cable within the ring [131] and the screw [141 / 142]

5. Please lock the shell on headlock [121 / 122].

6. Please fix the cable and shell through screw [222 / 221].



Material☒

Body: Copper (#C1100 / copper contains 99.9% at least)

Headlock: Glass fiber reinforced nylon (Red / White)

Ring: Brass alloy (#C3604)

Screw for conductor: Brass alloy (#C3604)

Shell: Stainless steel (SUS304)

Sleeve: POM

Screw for cable: Stainless steel (SUS304)

Finished☒

ASP-1931G

Body: 10u" Gold plating (no nickel base)

Ring: 3u" Gold plating (no nickel base)

Screw for conductor: 3u" Gold plating (no nickel base)

ASP-1931R

Body: Rhodium plating (no nickel base)

Ring: Rhodium plating (no nickel base)

Screw for conductor: Rhodium plating (no nickel base)

ASP-1931S

Body: 120u" Silver plating (no nickel base)

Ring: 120u" Silver plating (no nickel base)

Screw for conductor: 120u" Silver plating (no nickel base)

Head lock: None

Shell: None

Sleeve: None

Screw for cable: None

Screw for conductor: None

Electrical Characteristics

Contact resistance < 0.4 mohm

(Pair testing with ABI-0601)

Dimension

Biggest OD 13.8mm(Y spade interface)

Biggest OD 9.0 mm(shell)

Cable hole without sleeve 6.5mm

Cable hole with sleeve 4.5mm

Total Length 48.5mm

Packing

Vacuum Bag(4Pcs/1Set)

Recommend soldering temperature☒

Temperature Soldering Iron, please keep 400 °C within 3~5 second.

Temperature Soldering Iron, please keep 450 °C within 3~5 second.

In order to avoid the melts during the solder process, the insulation headlock can be disassembled temporarily.

Product production process comply with RoHS Directive.
This product is protected by the Taiwan Utility Model
Patent No. I763038.