



## AMRA series

Fixed Metal Oxide Film Resistors for Audio Equipments



### Features

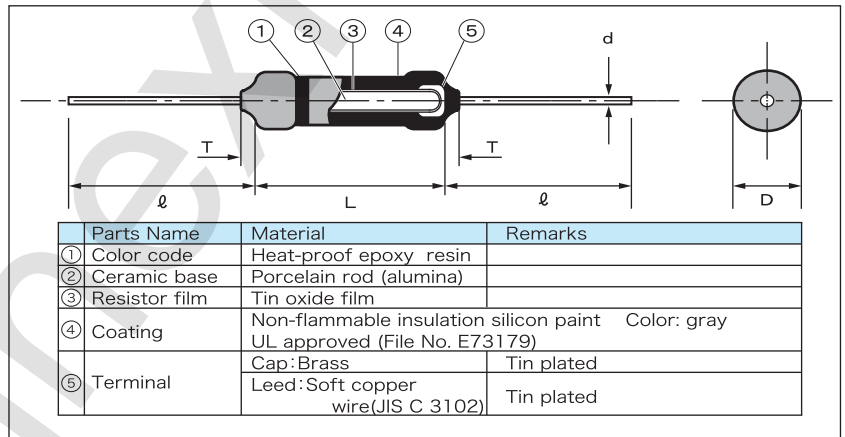
- ◆ Non-magnetic substances are used to reduce magnetic distortion and to obtain higher sound quality than general metal oxide film resistors.
- ◆ Resistor film is made of oxide metal such as tin oxide and shows anti-combustion characteristics.
- ◆ Flame retardant coating
- ◆ RoHS Compliant

### Type Designation

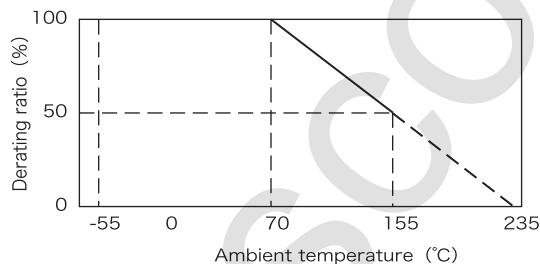
AMRA 2 F S 103 J L  
 ① ② ③ ④ ⑤ ⑥ ⑦

①	Product Code	
②	Power Rating (W)	
③	Flame retardant insulation coating	
④	Characteristics	S Small size
⑤	Nominal Resistans (Ω)	3 Figure Mark E-12 Series
⑥	Resistance Tolerance	J ± 5%
⑦	Taping&Forming	L Forming
		T Taping

### Construction and Materials



### Derating Curve



### Dimensions

(mm)

Type	L	D	l	d	T
1/2FS	6.3±0.5	2.5±0.4	20<	0.6	2.0>
1FS	9.0±1.0	3.1±0.8	20<	0.7	2.0>
2FS	11.0±1.0	4.0±0.8	20<	0.8	2.0>
5FS	24.5±1.0	8.5±1.0	20<	0.8	4.0>

### Rating

Type	Characteristics	Power Rating (W)	Max Working Voltage (V)	Max Overload Voltage (V)	Max intermittent Overload Voltage (V)	Dielectric with-standing Voltage (V)	Resistance Range (Ω)	Rated Ambient Temp (°C)	Operating Temp Range (°C)
1/2FS	S	0.5	250	400	500	250	0.1 ~ 150K	+70°C	-55~+155°C
1FS		1	350	600	750	350	0.1 ~ 270K		
2FS		2	350	600	750	350	0.1 ~ 470K		
5FS		5	500	800	1500	500	0.5 ~ 560K		

The rated voltage shall be calculated by square root( $E \times R$ )

When this value exceeds a maximum working voltage given in table, this maximum working voltage shall taken the rated voltage.

Where, E; rated voltage(V) P; rated dissipation(W) R; nominal resistance value(Ω)

Toll Free: 1-866-681-9602 • Local: 905-681-9602 • Fax: 905-631-5777

Shipping Address: 5109 Harvester Rd, Unit B2 • Burlington • Ontario • Canada • L7L 5Y4

Website: [www.partsconnexion.com](http://www.partsconnexion.com) • Email: [info@partsconnexion.com](mailto:info@partsconnexion.com)