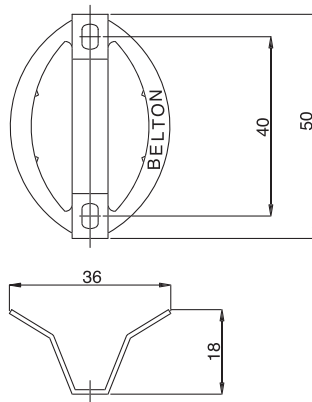


Precise designed tube retainer for 8 pin socket.

Tube retainer-1 ; for use on the standard 8 pin socket(VT8-PT or ST)

TUBE RETAINER-1



Proposed mounting method of tube socket with tube shield

