



# VACUUM TUBE SOCKETS

(VT9 SERIES)

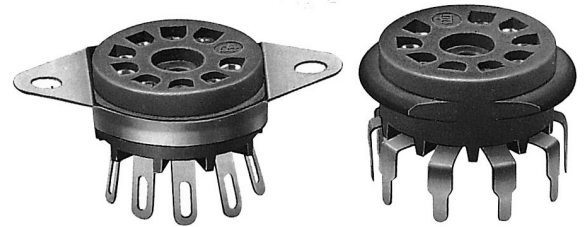
## 9 Pin Miniature Conventional Wiring and PCB Type Socket

### Features

- With panel saddle mounting
- Phosphorous bronze pin terminal with tin plating
- Glassfiber filled PPS Insulating material
- Easy mount with collar attached socket

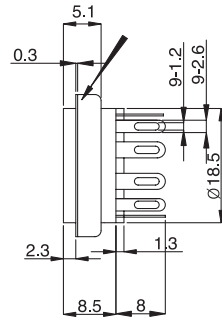
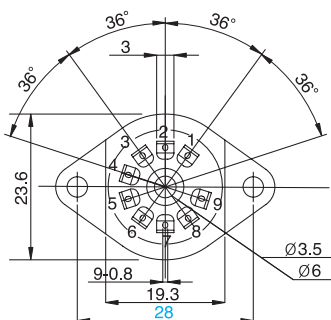
### Applications

- Applicable to all types of electric and electronic equipments using vacuum tube

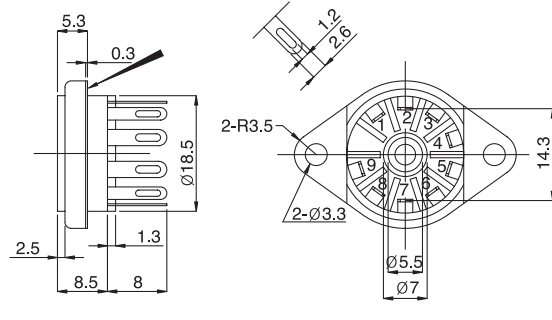


### Dimensions

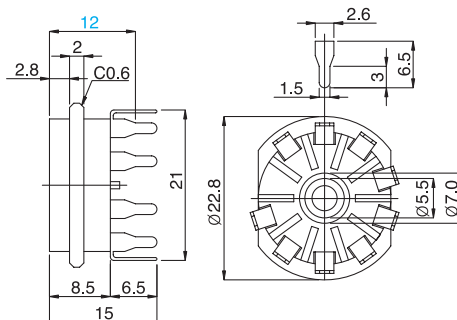
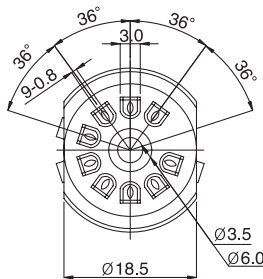
VT9-ST-1



VT9-ST-2



VT9-PT



P.C.B Mounting Hole

