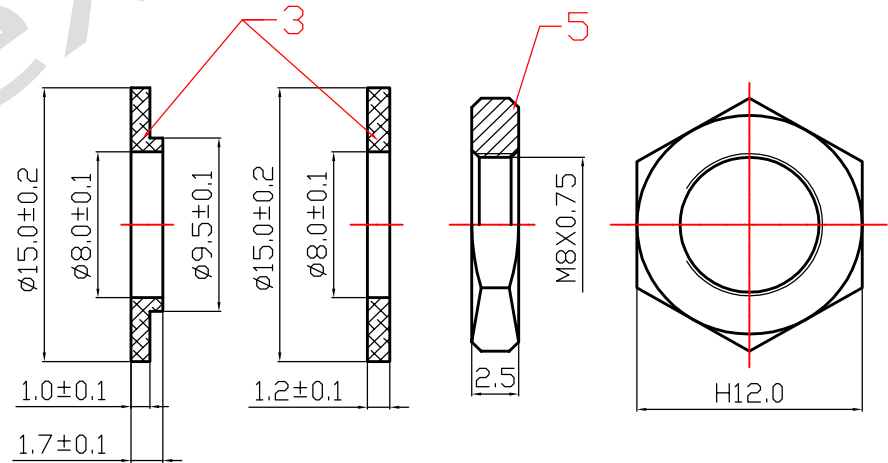
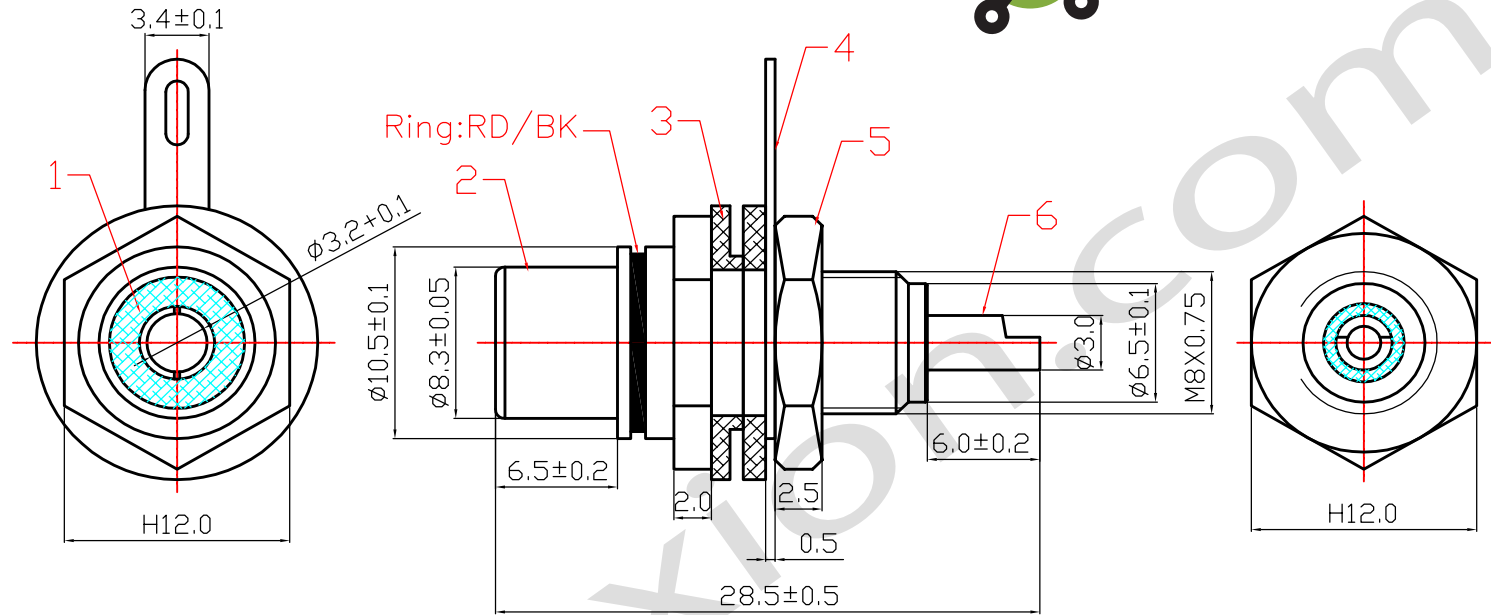




# PARTS CONNECTION

CONNEX-53452



ELECTRICAL CHARACTERISTIC	
①	CONTACT RESISTANCE: ≤20mΩ MAX
②	INSULATION RESISTANCE: ≥100MΩ Min
③	WITHSTAND VOLTAGE: DC200V
④	CURRENT RATING: 1A/DC200V
⑤	OPERATING TEMPERATURE: -30℃~60℃

6	PIN	BRASS
5	NUT	BRASS
4	EARTHING PATCH	BRASS
3	PLASTIC WASHER	ABS
2	BODY	BRASS
1	DIELECTRIC	TEF

ITEM	DESIGNATION	MATERIAL	TOLERANCE	SIGNATURES		DATE			
				DRAFT:					
			0 - 10 ±0.05 10 - 99 ±0.5 100 - 999 ±10.0 1000 - 9999 ±100.00 10000 - 99999 ±1000.00	CHECKED:					
REV	PART NO. & SAMPLE NO.	DATE	BY	APPROVAL:	SCALE	UNIT	REV	TITLE	CUSTOMER
A	JR-0581/TEF				1:1	mm	∅	RCA Chassis Mount Jack W/Washer Ring:Red,Black	
B									