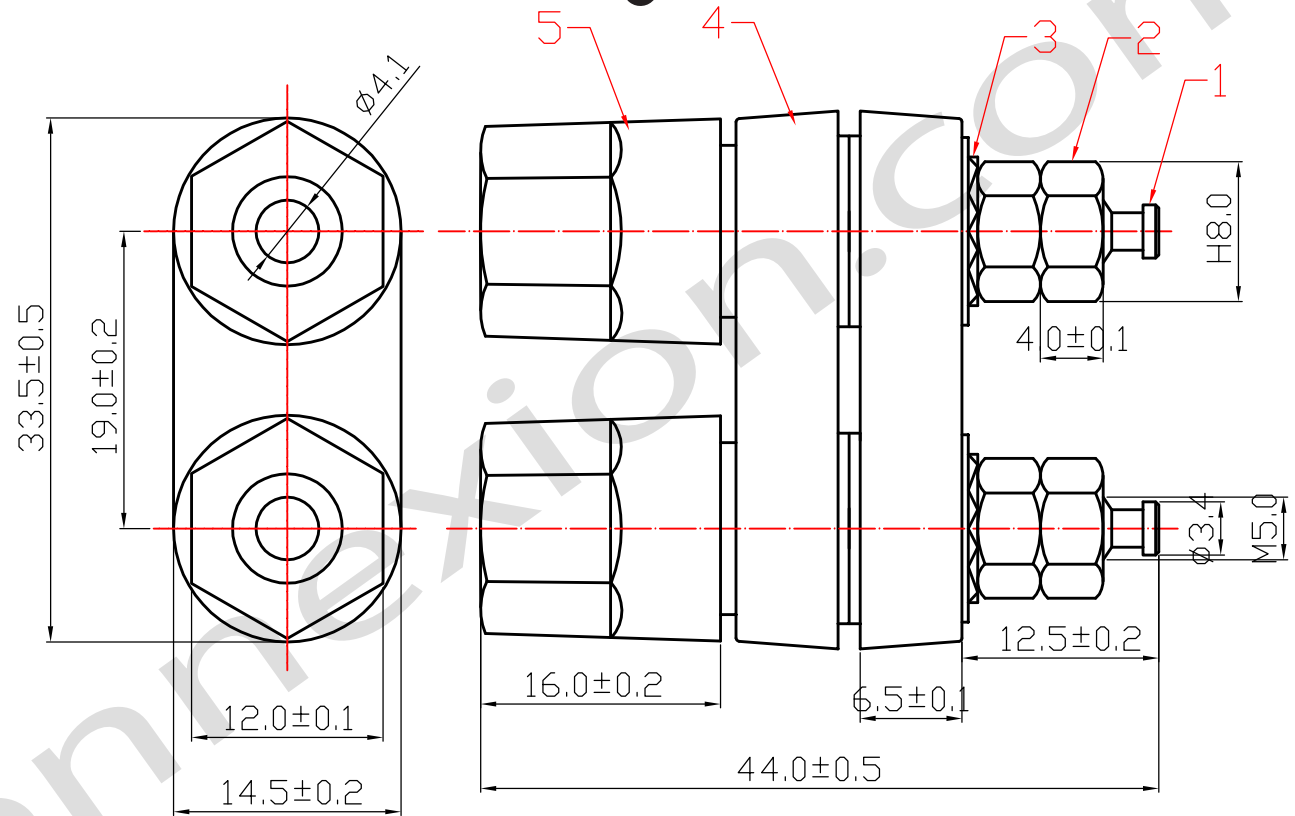




CONNEX-53466

PARTS CONNECTION



ELECTRICAL CHARACTERISTIC	
(1)	INNER CONTACT RESISTANCE: <math>< 10\text{m}\Omega</math>
(2)	OUTER CONTACT RESISTANCE: <math>< 2.5\text{m}\Omega</math>
(3)	WITHSTAND VOLTAGE: DC1500V
(4)	CURRENT RATING: 3A/DC1500V
(5)	OPERATING TEMPERATURE: $-30/+60^{\circ}\text{C}$

5	PLASTIC NUT	PA-66
4	HOUSING BOARD	PA-66
3	LOCK WASHER	Fe
2	METAL NUT	BRASS
1	PIN	BRASS
ITEM	DESIGNATION	MATERIAL

REV	PART NO. & SAMPLE NO.	DATE	BY
A	JR 0006A		
B			

TOLERANCE		SIGNATURES		DATE		
0 - 10	± 0.05	DRAFT:				
10 - 99	± 0.5	CHECKED:				
100 - 999	± 10.0	APPROVAL:		TITLE		
1000 - 9999	± 100.00					
10000 - 99999	± 1000.00					
		SHEET	SCALE	UNIT	REV	Dual Binding Posts
OF		1:1	mm	ϕ	CUSTOMER	