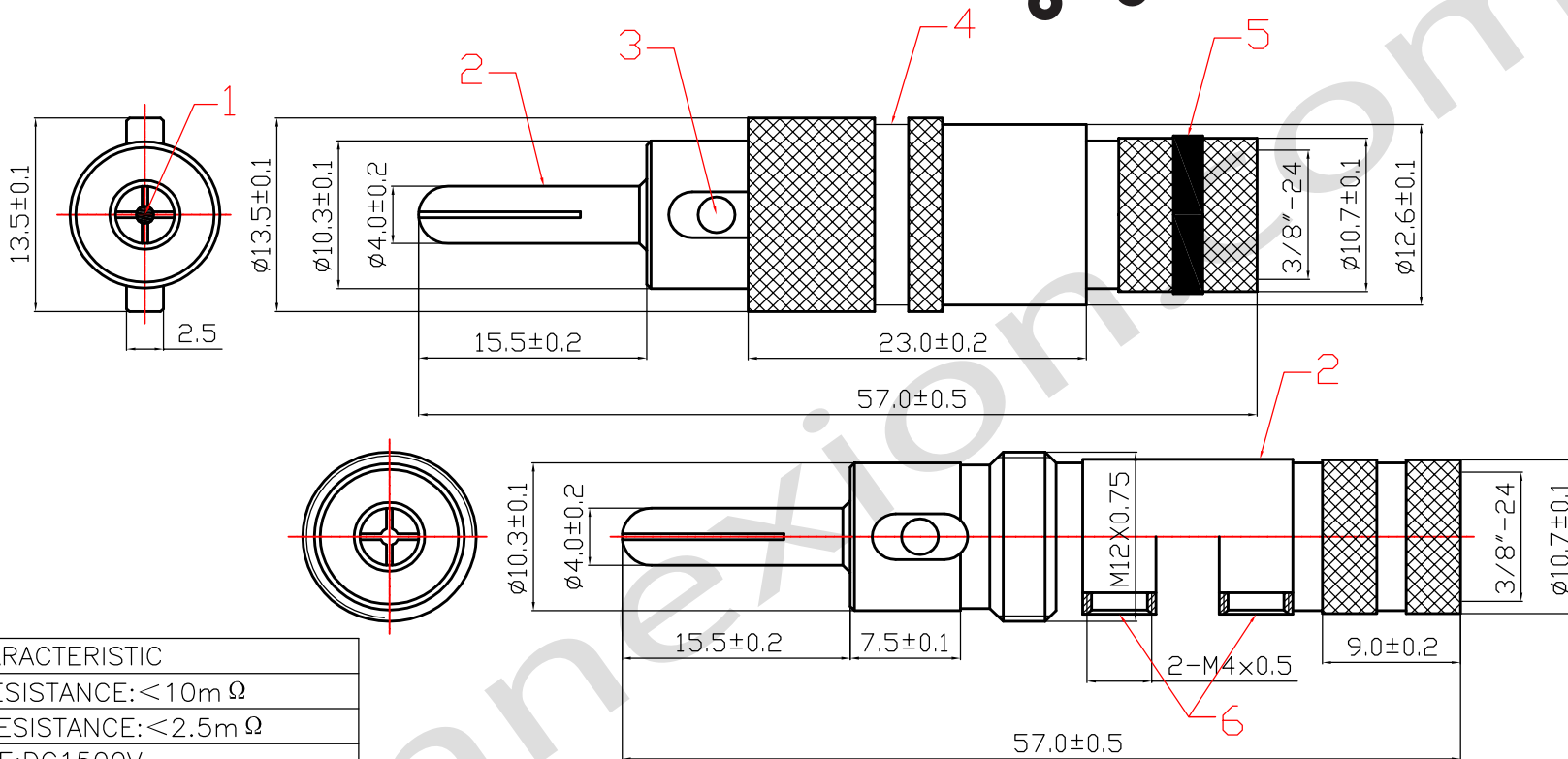


PARTS CONNECTION



ELECTRICAL CHARACTERISTIC	
(1)	INNER CONTACT RESISTANCE:<10m Ω
(2)	OUTER CONTACT RESISTANCE:<2.5m Ω
(3)	WITHSTAND VOLTAGE:DC1500V
(4)	CURRENT RATING:3A/DC1500V
(5)	OPERATING TEMPERATURE:-30/+60℃

6	SCREW	BRASS
5	PLASTIC RING	PVC
4	SHELL	BRASS
3	DOWEL	BRASS

2	BODY	BRASS
1	PIN	BRASS

ITEM	DESIGNATION	MATERIAL	
REV	PART NO.& SAMPLE NO.	DATE	BY
A	JR 0575		
B			

TOLERANCE	SIGNATURES	DATE		
0 - 10 ±0.05	DRAFT:			
10 - 99 ±0.5	CHECKED:			
100 - 999 ±10.0	APPROVAL:			
1000 - 9999 ±100.00				
10000 - 99999 ±1000.00				
	SHEET	SCALE	UNIT	REV
	OF	1:1	mm	∅



CONNEX-53479

TITLE	CUSTOMER
Lock-In Banana Plug Tin Plated-Nickel,Screw Type (Red,White)	