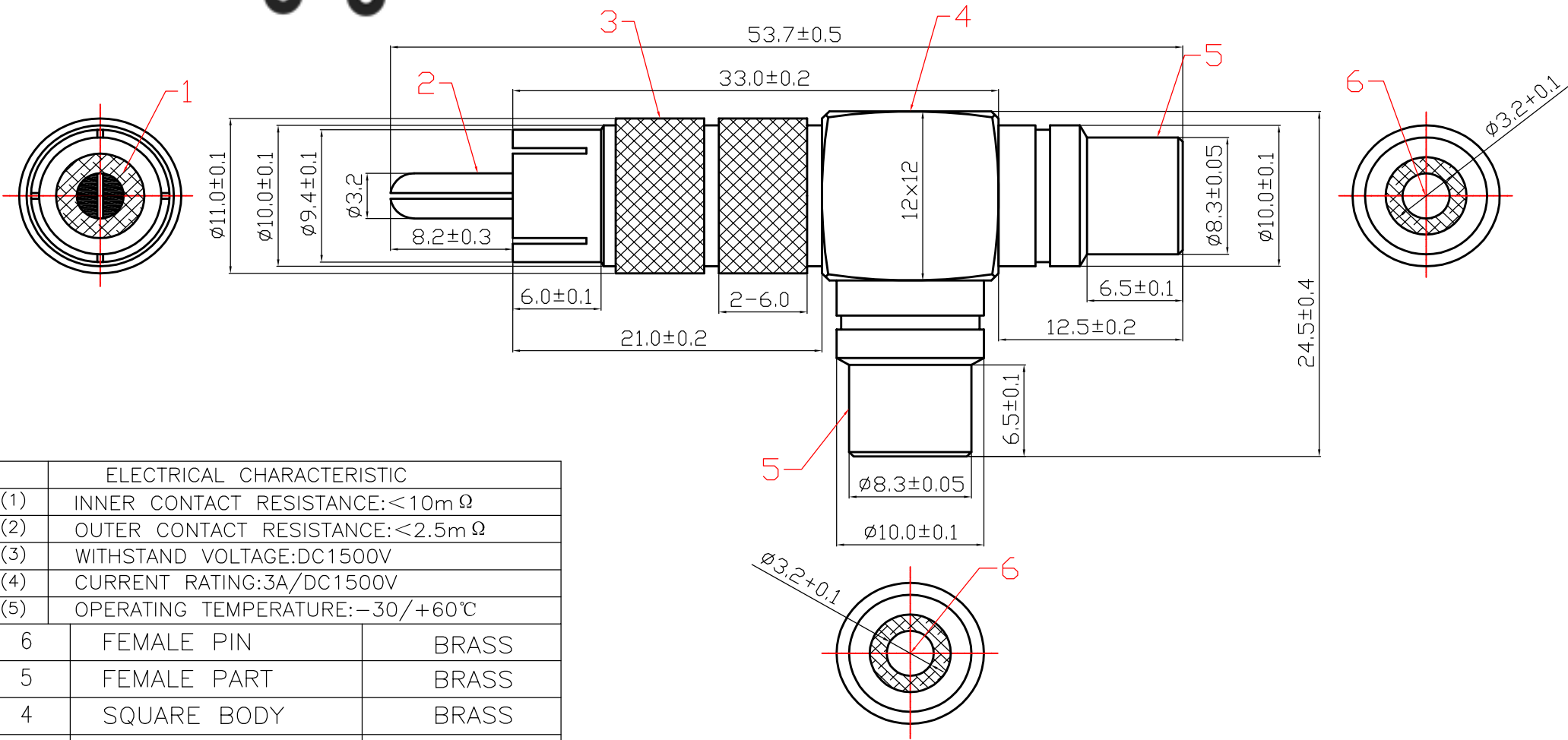




PARTS CONNECTION

CONNEX-55457



ELECTRICAL CHARACTERISTIC	
(1)	INNER CONTACT RESISTANCE: <math>< 10\text{m}\Omega</math>
(2)	OUTER CONTACT RESISTANCE: <math>< 2.5\text{m}\Omega</math>
(3)	WITHSTAND VOLTAGE: DC1500V
(4)	CURRENT RATING: 3A/DC1500V
(5)	OPERATING TEMPERATURE: -30/+60°C

6	FEMALE PIN	BRASS
5	FEMALE PART	BRASS
4	SQUARE BODY	BRASS
3	MALE PART	BRASS

2	MALE PIN	BRASS
1	DIELECTRIC	POM

ITEM	DESIGNATION	MATERIAL
------	-------------	----------

TOLERANCE		SIGNATURES		DATE
0 - 10	±0.05	DRAFT:		
10 - 99	±0.5	CHECKED:		
100 - 999	±10.0			
1000 - 9999	±100.00			
10000 - 99999	±1000.00			

REV	PART NO. & SAMPLE NO.	DATE	BY
-----	-----------------------	------	----

A	JR 0522		
---	---------	--	--

B			
---	--	--	--

APPROVAL:		SCALE	UNIT	REV	TITLE	CUSTOMER
		1:1	mm	∅	RCA Phone Plug To Double Jack	
SHEET						
OF						