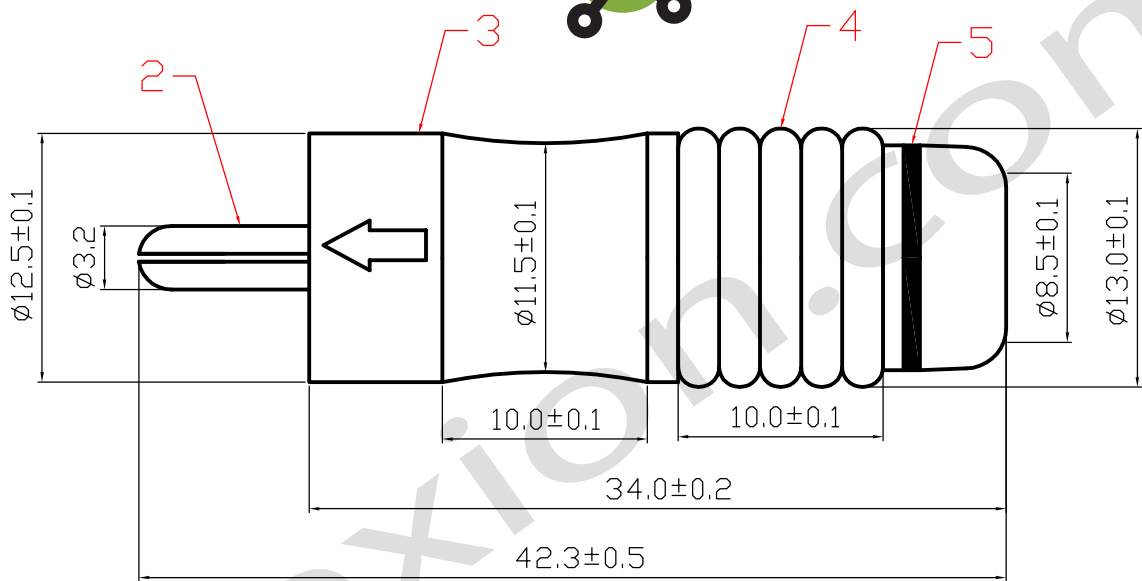
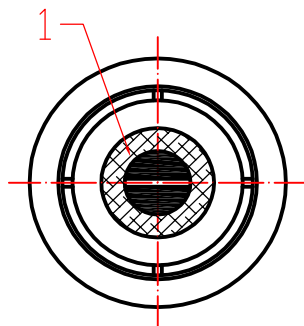
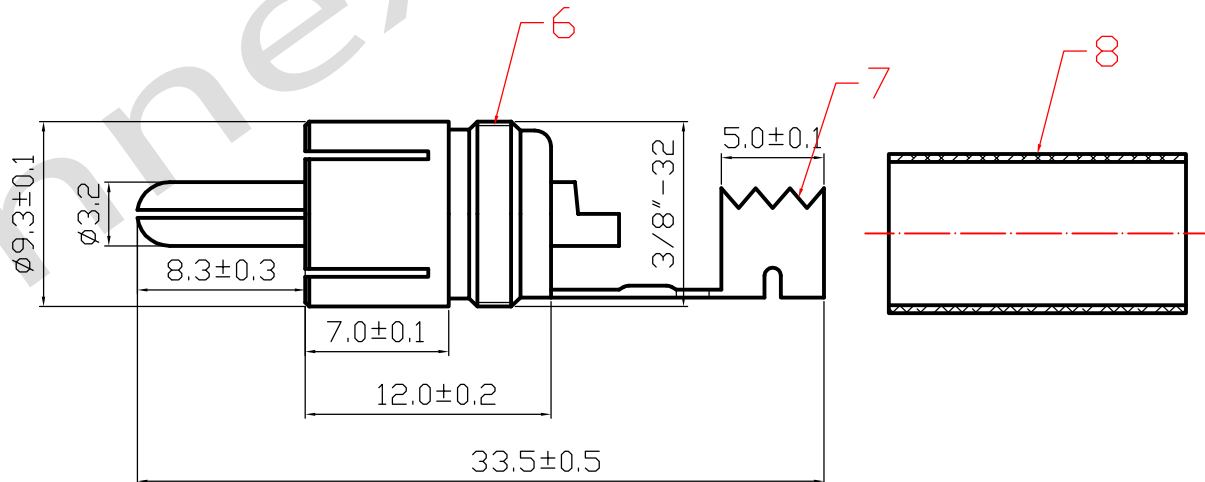


CONNEX-68139



| ELECTRICAL CHARACTERISTIC |   |
|---------------------------|---|
| (1)                       | INNER CONTACT RESISTANCE: $< 10m\Omega$   |
| (2)                       | OUTER CONTACT RESISTANCE: $< 2.5m\Omega$  |
| (3)                       | WITHSTAND VOLTAGE: DC1500V                |
| (4)                       | CURRENT RATING: 3A/DC1500V                |
| (5)                       | OPERATING TEMPERATURE: $-30/+60^{\circ}C$ |

|   |                |       |
|---|----------------|-------|
| 8 | PLASTIC TUBE   | PVC   |
| 7 | CRIMPING PATCH | BRASS |
| 6 | BODY           | BRASS |
| 5 | PLASTIC RING   | PVC   |
| 4 | COPPER SUITE   | BRASS |
| 3 | SHELL          | BRASS |



|   |            |       |
|---|------------|-------|
| 2 | PIN        | BRASS |
| 1 | DIELECTRIC | POM   |

| TOLERANCE     |               | SIGNATURES |  | DATE |
|---------------|---------------|------------|--|------|
| 0 - 10        | $\pm 0.05$    | DRAFT:     |  |      |
| 10 - 99       | $\pm 0.5$     | CHECKED:   |  |      |
| 100 - 999     | $\pm 10.0$    | APPROVAL:  |  |      |
| 1000 - 9999   | $\pm 100.00$  |            |  |      |
| 10000 - 99999 | $\pm 1000.00$ |            |  |      |

| REV. | ECO | PART NO. & SAMPLE NO. | DATE | BY | SHEET OF |  | SCALE | UNIT | REV.   | TITLE   | CUSTOMER |
|------|-----|-----------------------|------|----|----------|--|-------|------|--------|---|----------|
| A    |     | JR 0873               |      |    | 1        |  | 1:1   | mm   | $\phi$ | RCA Plug For 8mm Cable Nickel & Gold Handle (Red/Black) |          |
| B    |     |                       |      |    |          |  |       |      |        |   |          |