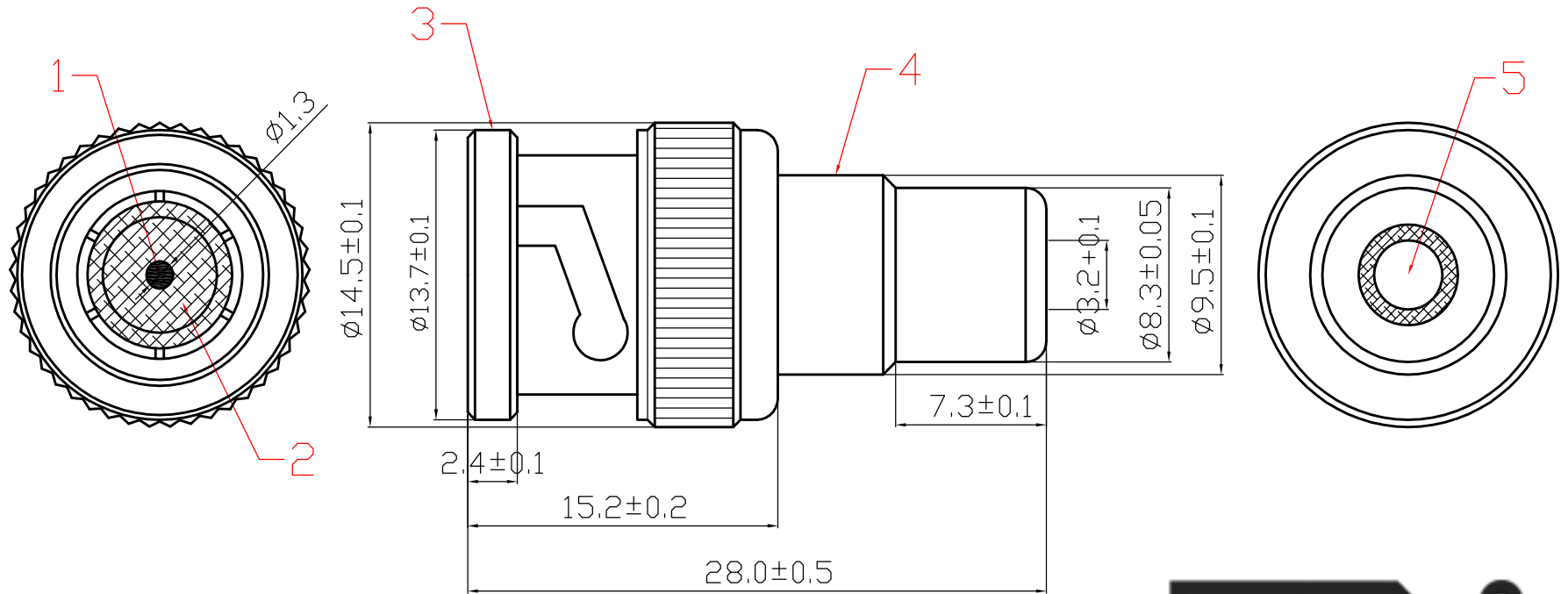


PARTS CONNE^{ION}



5	RCA FEMALE PIN	Cu
4	BODY	Zn
3	SHELL	Zn
2	DIELECTRIC	POM
1	BNC MALE PIN	Cu

ITEM	DESIGNATION	MATERIAL		
REV.	ECO	PART NO. & SAMPLE NO.	DATE	BY
A		JR-6041		
B				

TOLERANCE	SIGNATURES	DATE
0 - 10 ±0.05 10 - 99 ±0.5 100 - 999 ±10.0 1000 - 9999 ±100.00 10000 - 99999 ±1000.00	CHECKED:	
	APPROVAL:	
SHEET	SCALE	UNIT
OF	1:1	mm
	REV.	∅

CONNEX-70020	
TITLE	BNC Male To RCA Female
CUSTOMER	