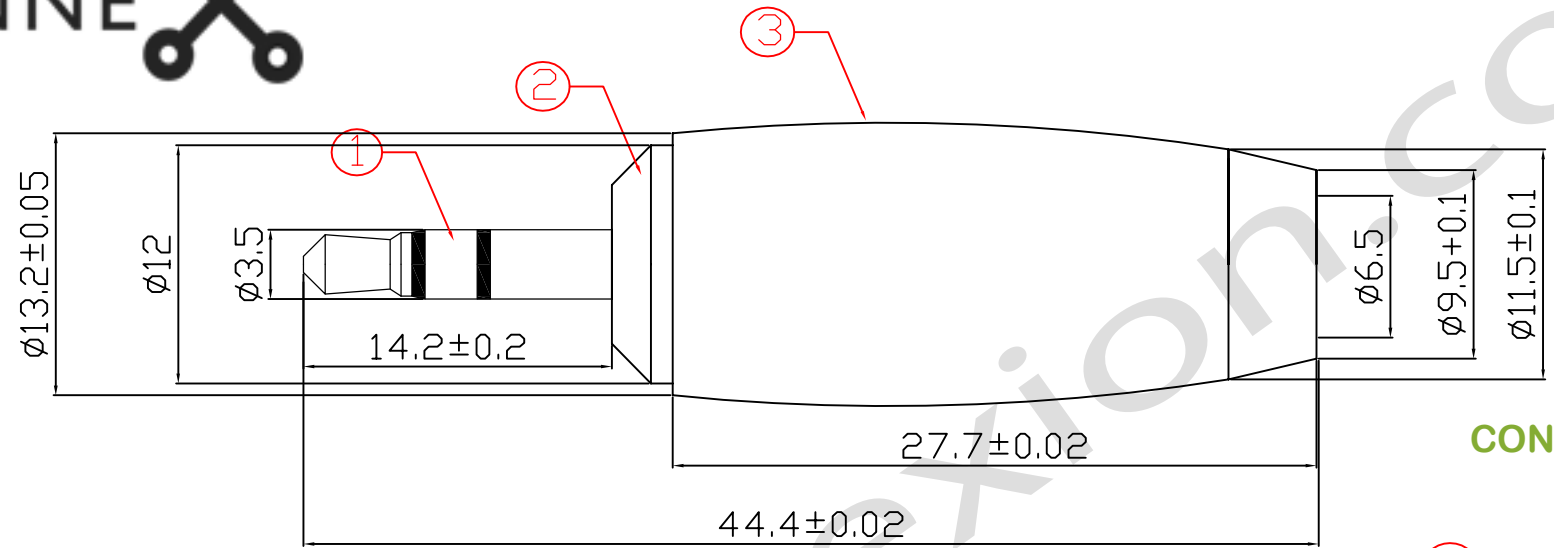
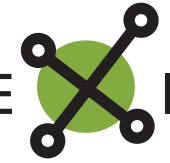
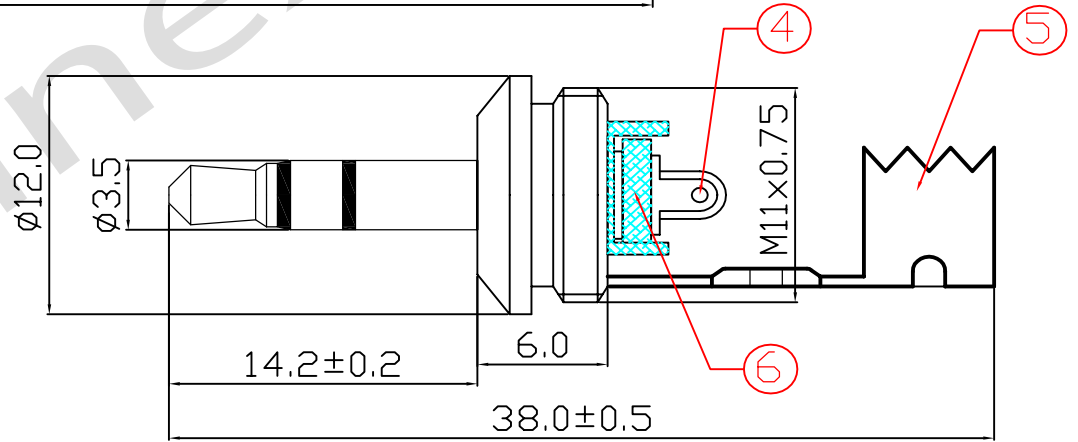




# PARTS CONNECTION



CONNEX-73270



ELECTRICAL CHARACTERISTIC	
(1)	INNER CONTACT RESISTANCE:<10mΩ
(2)	OUTER CONTACT RESISTANCE:<2.5mΩ
(3)	WITHSTAND VOLTAGE:DC1500V
(4)	CURRENT RATING:3A/DC1500V
(5)	OPERATING TEMPERATURE:-30/+60°C

6	DIELECTRIC	POM
5	CRIMPING PATCH	BRASS
4	SOLDERING PATCH	BRASS
3	SHELL	BRASS
2	BODY	BRASS
1	3.5 PLUG	BRASS
ITEM	DESIGNATION	MATERIAL

TOLERANCE		SIGNATURES		DATE
0 - 10	±0.05	DRAFT:		
10 - 99	±0.5	CHECKED:		
100 - 999	±10.0	APPROVAL:		
1000 - 9999	±100.00	SCALE	UNIT	REV.
10000 - 99999	±1000.00	OF	mm	φ
		TITLE	3.5mm Stereo Plug Tin Plated-Nickel Handle	
		CUSTOMER		