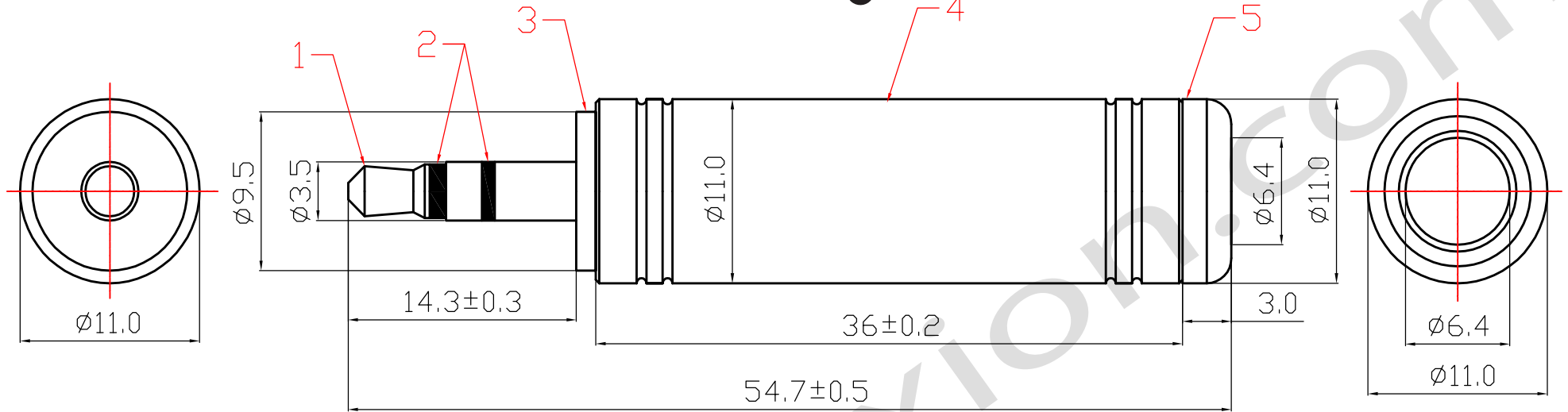


PARTS CONNECTION



| ELECTRICAL CHARACTERISTIC | |
|---------------------------|---------------------------------|
| (1) | INNER CONTACT RESISTANCE:<10mΩ |
| (2) | OUTER CONTACT RESISTANCE:<2.5mΩ |
| (3) | WITHSTAND VOLTAGE:DC1500V |
| (4) | CURRENT RATING:3A/DC1500V |
| (5) | OPERATING TEMPERATURE:-30/+60°C |

| | | |
|---|------------------|-------|
| 5 | 1/4" STEREO JACK | BRASS |
| 4 | SHELL | BRASS |
| 3 | COPPER HEAD | BRASS |
| 2 | DIELECTRIC | POM |
| 1 | FRONT POINT | BRASS |

| ITEM | DESIGNATION | MATERIAL |
|------|------------------|----------|
| 5 | 1/4" STEREO JACK | BRASS |
| 4 | SHELL | BRASS |
| 3 | COPPER HEAD | BRASS |
| 2 | DIELECTRIC | POM |
| 1 | FRONT POINT | BRASS |

| TOLERANCE | SIGNATURES | DATE |
|------------------------|------------|----------|
| 0 - 10 ±0.05 | DRAFT: | 11.01.10 |
| 10 - 99 ±0.5 | CHECKED: | |
| 100 - 999 ±10.0 | | |
| 1000 - 9999 ±100.00 | | |
| 10000 - 99999 ±1000.00 | | |

| | |
|---------------------|--|
| CONNEX-73271 | |
|---------------------|--|

| REV | PART NO. & SAMPLE NO. | DATE | BY |
|-----|-----------------------|------|----|
| A | JR 1426C/G | | |
| B | | | |

| APPROVAL: | SCALE | UNIT | REV |
|-----------|-------|------|-----|
| | 1:1 | mm | ∅ |

| TITLE | CUSTOMER |
|--|----------|
| 3.5mm Stereo Plug To 1/4" Stereo Jack, Aluminium | |