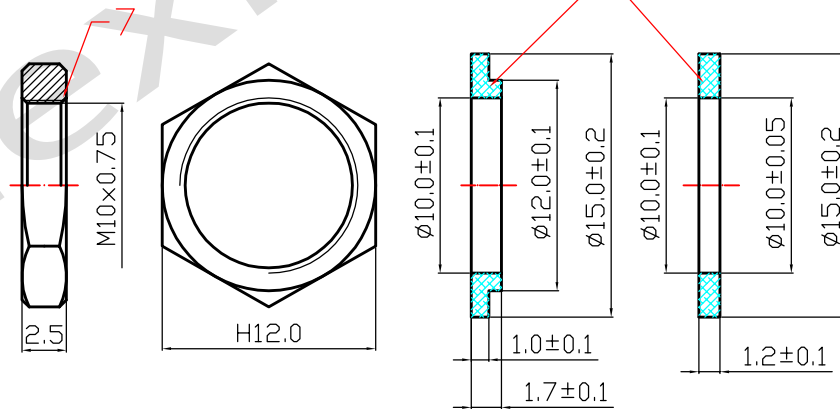
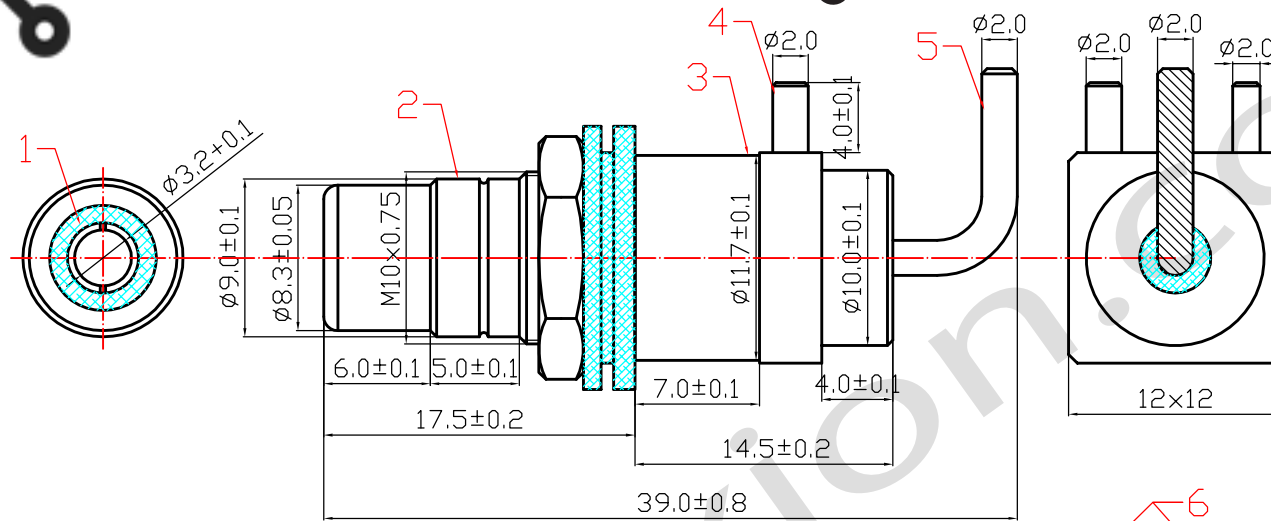




# PARTS CONNECTION

CONNEX-75120



ELECTRICAL CHARACTERISTIC	
(1)	INNER CONTACT RESISTANCE:<10mΩ
(2)	OUTER CONTACT RESISTANCE:<2.5mΩ
(3)	WITHSTAND VOLTAGE:DC1500V
(4)	CURRENT RATING:3A/DC1500V
(5)	OPERATING TEMPERATURE:-30/+60°C

7	NUT	Cu
6	PLASTIC WASHER	ABS
5	PIN	Cu
4	COPPER PILLAR	Cu
3	BODY	Cu

2	FEMALE PART	Cu
1	DIELECTRIC	TEF

ITEM	DESIGNATION	MATERIAL	TOLERANCE	SIGNATURES		DATE		
				DRAFT:	CHECKED:			
REV	PART NO. & SAMPLE NO.	DATE	BY	APPROVAL:			TITLE	RCA Jack Gold Plated
A	JR 0581B			SHEET	SCALE	UNIT	REV	
B				OF	1:1	mm	Ø	CUSTOMER