

FURUTECH
PURE TRANSMISSION

AEx
オーディオ銘機賞
Audio Excellence Award 2008



High End Performance AC INLET 20A



Regular Clamp

Furutech Patent Pending Clamp
Contact Area Calculated Increase: 17.142%

FTECH-71044

FI-33(R) Rhodium Plated

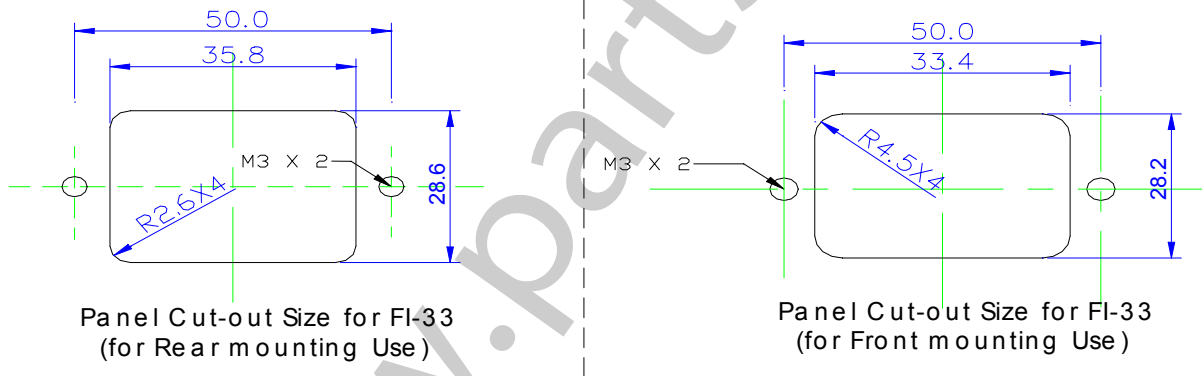
FTECH-71043

FI-33(G) 24k Gold Plated

Type: 2-pole+earth Rating: 20A 125V A.C. /16A 250V A.C.

- α (Alpha) Pure copper Conductor
- Material: Nylon/fiberglass
- Specified for wire diameters of 4mm (set screw)
- Dimensions: 60.4mm (W) x 30.4mm (D) x 38.7mm(H)
- Furutech's total attention to detail and build quality extends right down to a specially designed patent-pending pressure plate (see below) that increases the contact area of the Alpha Conductors.

Panel Cut-out Size for A.C. Inlet



All metallic parts are treated with the

*FURUTECH α (Alpha) Process (Super Cryogenic & Demagnetizing Treatment.)

Make A More Powerful Connection with Furutech!