



FURUTECH
PURE TRANSMISSION

AEx
オーディオ銘機賞
Audio Excellence Award 2008



New for 2009!

High End Performance Phono-DIN Connector series



FP-DIN



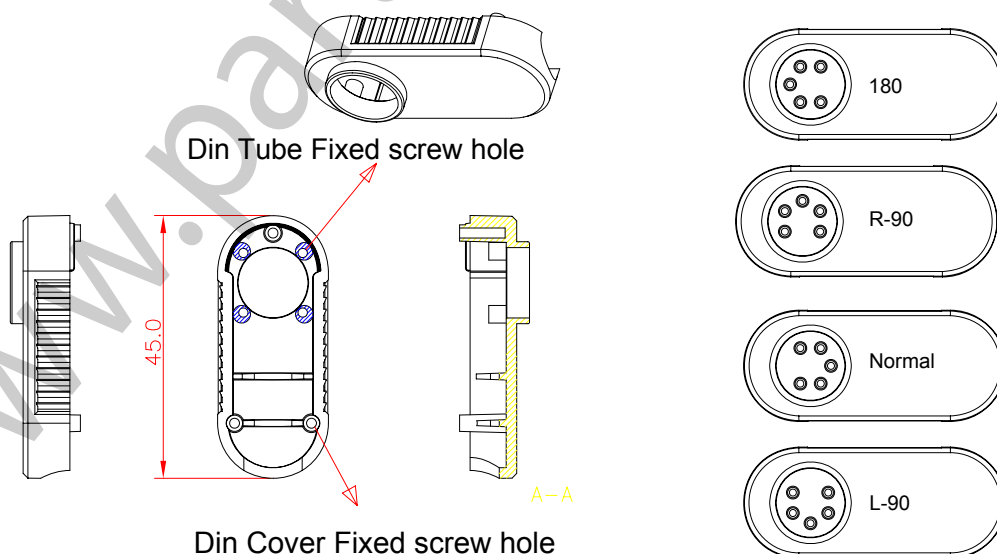
FP-DIN (L)

FTECH-72907

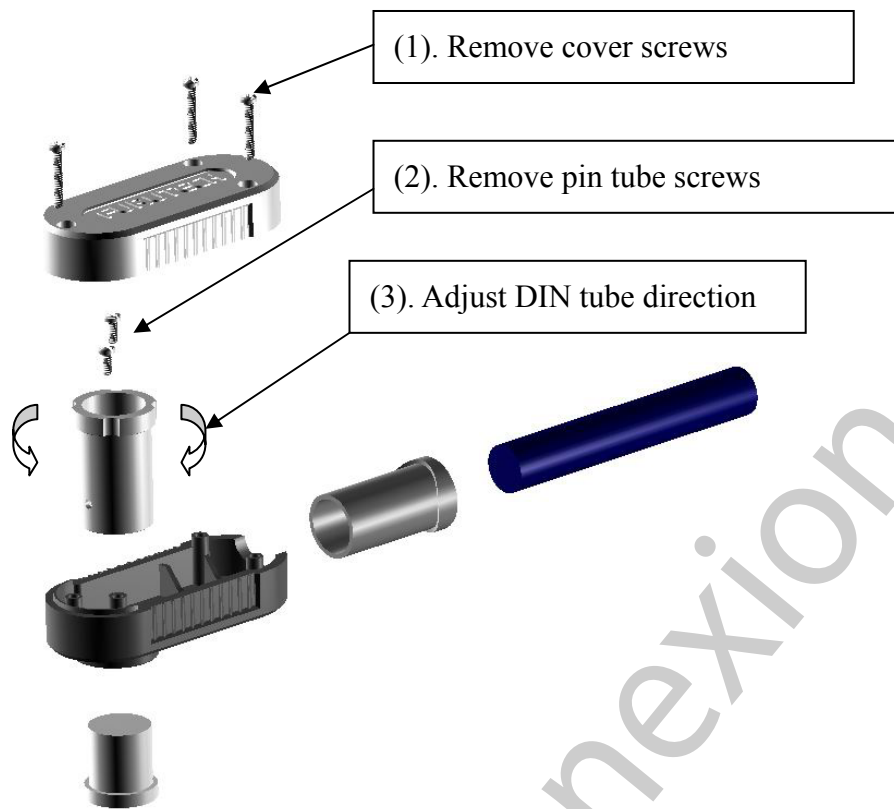
Features

- Rhodium-plated α (Alpha) Phosphor bronze conductor
- Teflon Insulated Body
- Nonmagnetic stainless steel Housing
- Conductor wire fixed by soldering.
- Specified for cable diameters max. 10.0mm
- Dimensions: FP-DIN---14.0mm diameter x 54.0mm overall length
FP-DIN(L)---45(L) X 19(W) X 33.4(H) mm approx.

Specially engineered FP-Din (L) construction for adjustable pin orientation!



L-DIN connector pin direction adjustment



What the Critics Say :

*“One last comment has to go to the finish of the connectors ... Tolerances are spot on, the stuff goes in smoothly, locks and unlocks without any undue play ... There's something luxurious and silken about the Furutech connectors. Like fine Swiss watches. This stuff also routes and drapes easily. ... Since it does perform to a very high standard, getting the tactile satisfaction and pride of ownership bits thrown into the bargain is worth mentioning.
-- Srajan Ebaen, 6moons.com*

Make A More Powerful Connection with Furutech!