

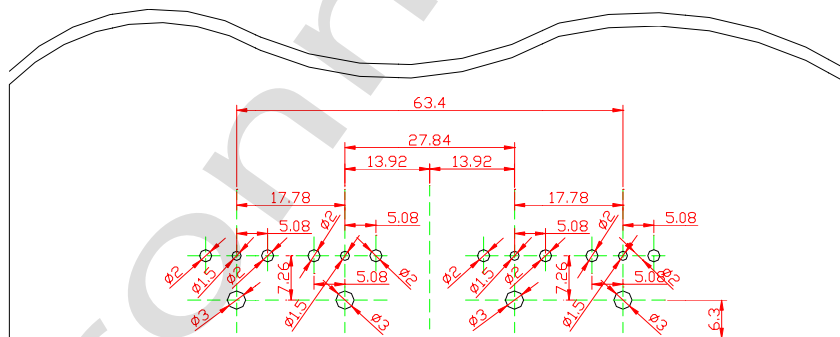
High End Performance PCB mount RCA Socket: FP-908 (R)



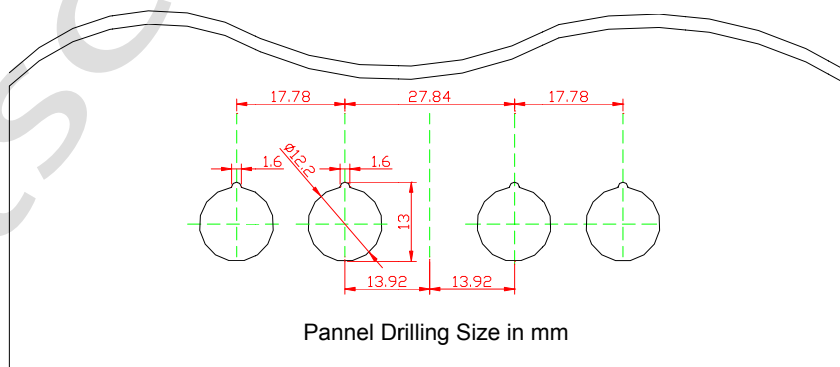
FTECH-74283

Features

- α (Alpha) Pure Copper rhodium-plated or gold-plated center conductor
- α (Alpha) Lead Free copper alloy rhodium or gold plated body
- Central Insulation & Outer Insulation Ring : Nylon + Fiberglass (Red, White)
- Conductor fixed by soldering.
- α (Alpha) Lead Free copper alloy rhodium or gold plated fixing ring nut
- Dimensions: 17.0mm diameter X 21.1mm(H) X 34.5mm overall length



PC Bord Drilling Size in mm



Pannel Drilling Size in mm