

# FURUTECH

PURE TRANSMISSION



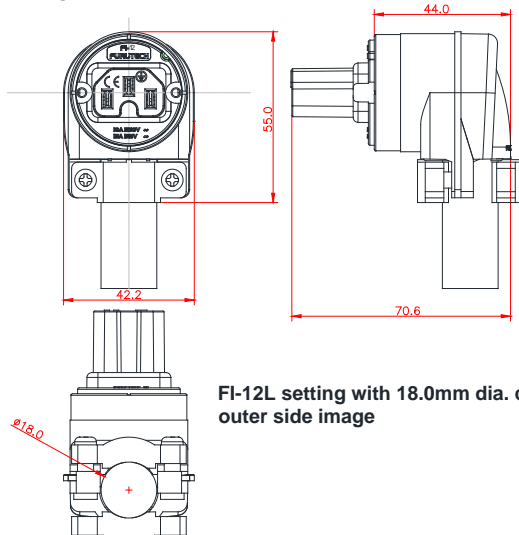
## High End Performance Angled Connector Series

FI-12L(R) IEC Connector / FI-12ML(R) Power Connector / FI-E12L(R) SCHUKO Connector

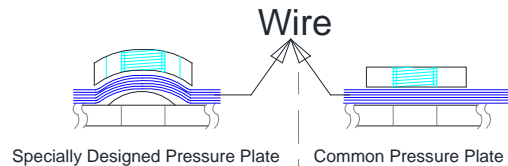


### Features

- Rhodium-plated  $\alpha$  (Alpha) pure-copper conductors
- Floating Field Damper System (US Patent No.: 6,669,491)
- Nylon/fiberglass body incorporating carbon particles that absorb vibration and resonance
- Specified for cable diameters from 6.6mm to 18.0mm
- Dimensions: Housing-44.0mm X 42.2mm X 55.0mm
  - FI-12L(R) --- 70.6mm Overall Length X 42.2mm X 55.0mm Approx.
  - FI-12ML(R) --- 66.4mm Overall Length X 42.2mm X 55.0mm Approx.
  - FI-E12L(R) --- 84.0mm Overall Length X 42.2mm X 55.0mm Approx.
- Metal cable clamp improves grip and reduces mechanically and electrically induced distortion
- Rating: FI-12L(R)---10A 250V /15A 125V AC // FI-12ML(R)--- 15A 125V AC // FI-E12L(R)---16A 250V



### Specially Engineered Wire Clamp



Contact Area Increased by: 17.142%  
(Theory value)



**Make A More Powerful Connection with Furutech!**  
FURUTECH CO., LTD • [service@furutech.com](mailto:service@furutech.com) • [www.furutech.com](http://www.furutech.com)