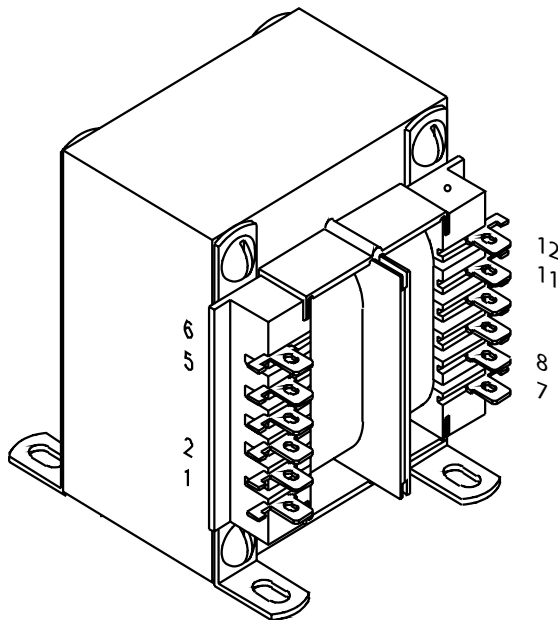




Low Voltage Chassis Mounted Power Transformer

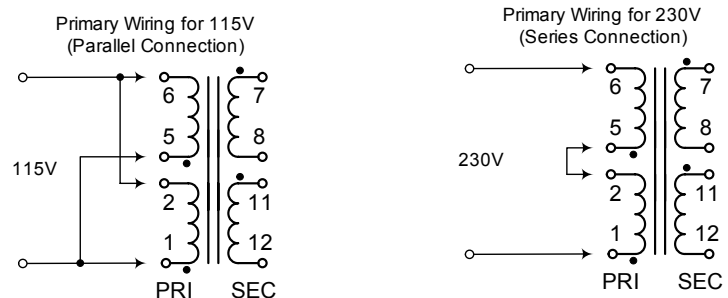


Key Features:

- Universal operation on 50/60Hz, 115/ 230V dual primary for worldwide use.
- Dual bobbin construction
- Dual use terminals (solder lug or quick connect)
- Dual secondaries for series or parallel connections
- 4,000V RMS Hipot tested
- Class F Insulation - 155 degrees C.
- Agency listings: cURus, CE, and TUV.

| Overall Dimensions - in. (mm) | |
|--|-------------------|
| Width | 2.81 (71.4) |
| Depth | 3.07 (78) |
| Height | 3.37 (85.6) |
| Weight | 4 lbs./ 1.8 kg. |
| Hole to Hole Mounting Dims. - in. (mm) | |
| Width | 2.25 (57.2) |
| Depth | 2.5 (63.5) |
| Terminal Lug Data- in. (mm) | |
| Width | 0.25 (6.4) |
| Thickness | 0.03 (0.8) |
| Electrical | |
| Size (VA) | 130 |
| Primary | 115/ 230 VAC |
| Sec (Series) | 12.6V C.T. @10.3A |
| Sec (Parallel) | 6.3V@20.6A |

Primary Connections - 185 Series Transformers



Secondary Connections - 185 Series Transformers

