

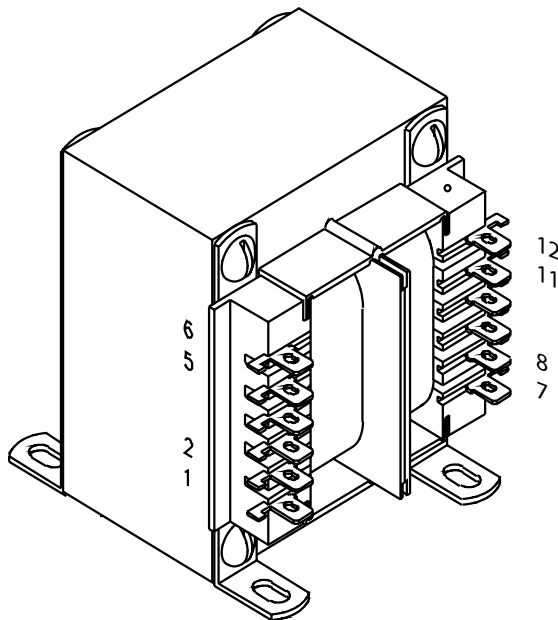


**HAMMOND  
MANUFACTURING®**

www.hammondmfg.com

# 185G20

Low Voltage Chassis Mounted Power Transformer

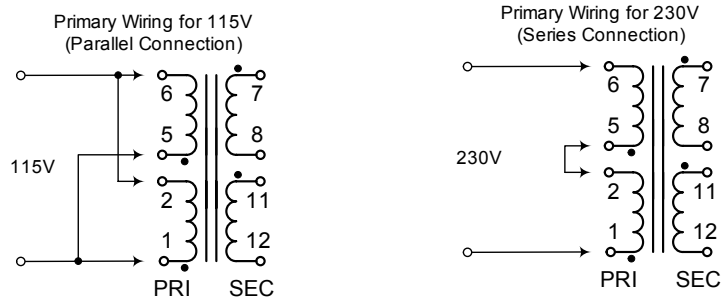


**Key Features:**

- Universal operation on 50/60Hz, 115/ 230V dual primary for worldwide use.
- Dual bobbin construction
- Dual use terminals (solder lug or quick connect)
- Dual secondaries for series or parallel connections
- 4,000V RMS Hipot tested
- Class F Insulation - 155 degrees C.
- Agency listings: cURus, CE, and TUV.

Overall Dimensions - in. (mm)	
Width	3.12 ( 79.2)
Depth	3.2 (81.3)
Height	3.75 (95.3)
Weight	5 lbs./ 2.3 kg.
Hole to Hole Mounting Dims. - in. (mm)	
Width	2.5 (63.5)
Depth	2.5 (63.5)
Terminal Lug Data- in. (mm)	
Width	0.25 (6.4)
Thickness	0.03 (0.8)
Electrical	
Size (VA)	175
Primary	115/ 230 VAC
Sec (Series)	20V C.T. @8.8A
Sec (Parallel)	10V@17.6A

**Primary Connections - 185 Series Transformers**



**Secondary Connections - 185 Series Transformers**

