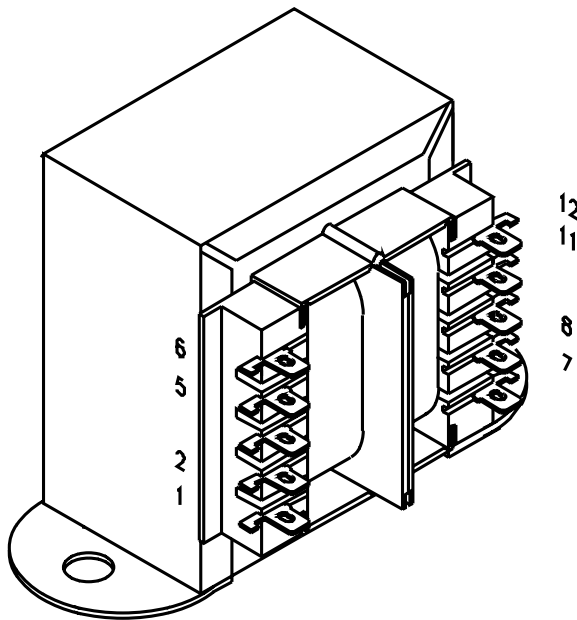




Low Voltage Chassis Mounted Power Transformer

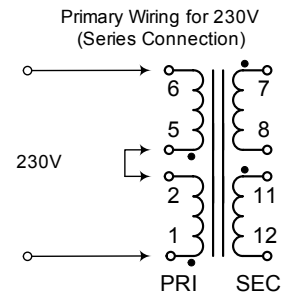
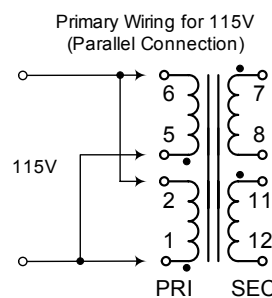


Key Features:

- Universal operation on 50/60Hz, 115/ 230V dual primary for worldwide use.
- Dual bobbin construction
- Dual use terminals (solder lug or quick connect)
- Dual secondaries for series or parallel connections
- 4,000V RMS Hipot tested
- Class F Insulation - 155 degrees C.
- Agency listings: cURus, CE, and TUV.

| Overall Dimensions - in. (mm) | |
|--|--------------------|
| Width | 3.12 (79.2) |
| Depth | 2.22 (56.4) |
| Height | 2.68 (68.1) |
| Weight | 1.75 lbs./ 0.8 kg. |
| Hole to Hole Mounting Dims. - in. (mm) | |
| Width | 2.81 (71.4) |
| Depth | - (-) |
| Terminal Lug Data- in. (mm) | |
| Width | 0.19 (4.7) |
| Thickness | 0.02 (0.5) |
| Electrical | |
| Size (VA) | 43 |
| Primary | 115/ 230 VAC |
| Sec (Series) | 36V C.T. @1.2A |
| Sec (Parallel) | 18V@2.4A |

Primary Connections - 185 Series Transformers



Secondary Connections - 185 Series Transformers

