

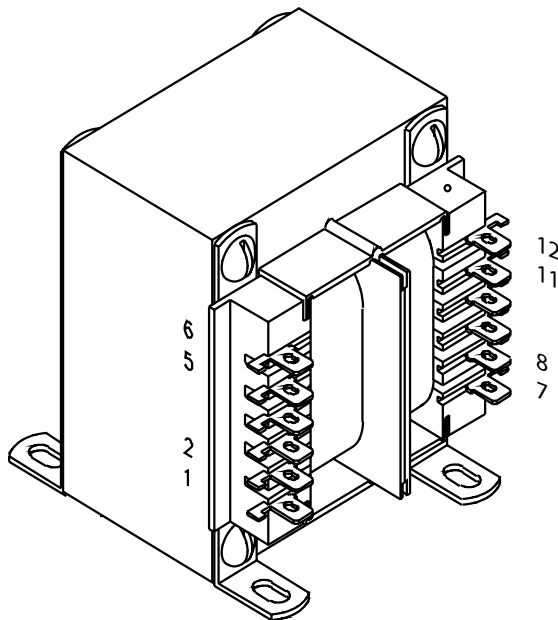


**HAMMOND
MANUFACTURING®**

www.hammondmfg.com

185F230

Low Voltage Chassis Mounted Power Transformer

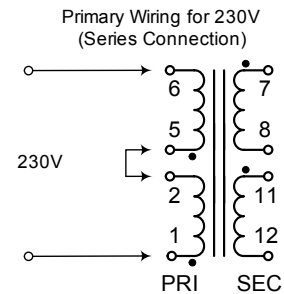
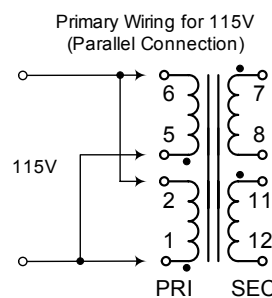


Key Features:

- Universal operation on 50/60Hz, 115/ 230V dual primary for worldwide use.
- Dual bobbin construction
- Dual use terminals (solder lug or quick connect)
- Dual secondaries for series or parallel connections
- 4,000V RMS Hipot tested
- Class F Insulation - 155 degrees C.
- Agency listings: cURus, CE, and TUV.

Overall Dimensions - in. (mm)	
Width	2.81 (71.4)
Depth	3.07 (78)
Height	3.37 (85.6)
Weight	4 lbs./ 1.8 kg.
Hole to Hole Mounting Dims. - in. (mm)	
Width	2.25 (57.2)
Depth	2.5 (63.5)
Terminal Lug Data- in. (mm)	
Width	0.25 (6.4)
Thickness	0.03 (0.8)
Electrical	
Size (VA)	130
Primary	115/ 230 VAC
Sec (Series)	230V C.T. @0.57A
Sec (Parallel)	115V@1.14A

Primary Connections - 185 Series Transformers



Secondary Connections - 185 Series Transformers

