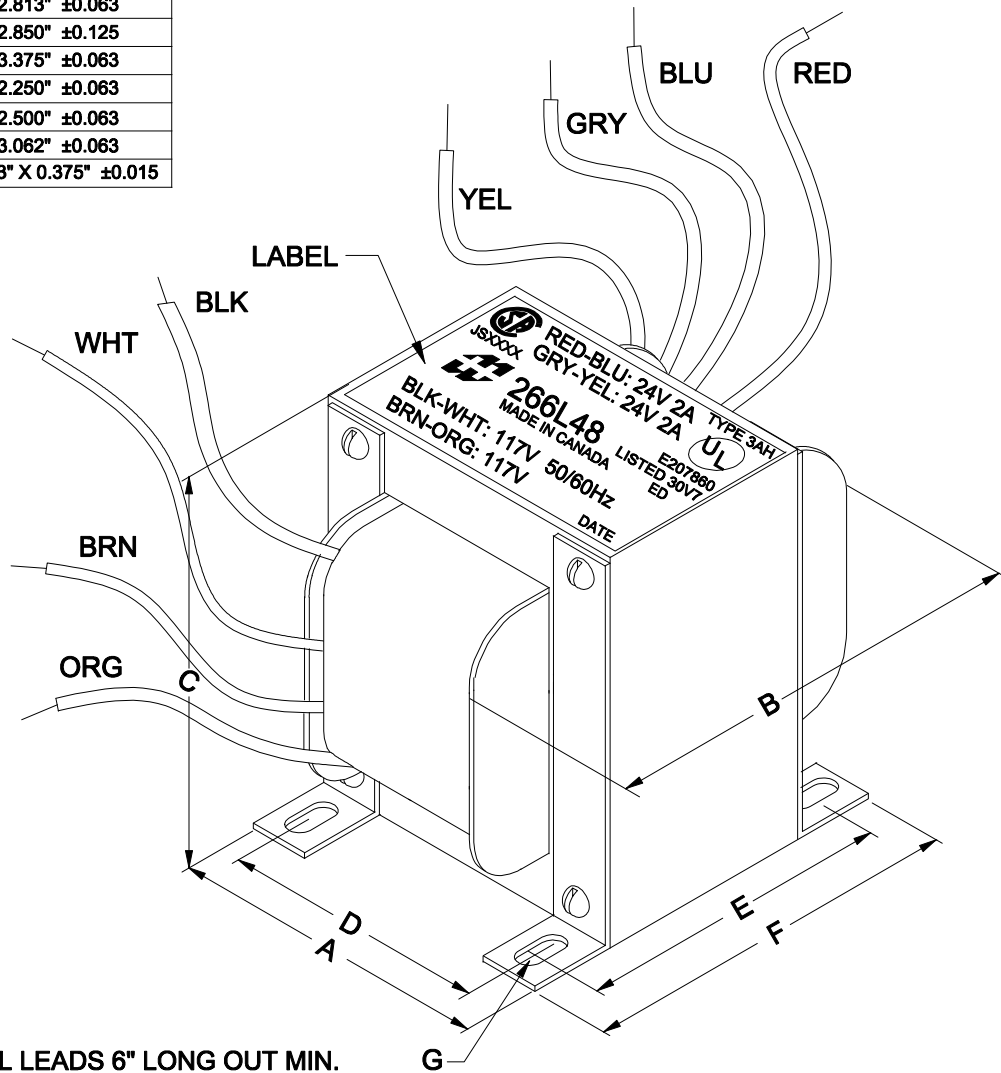
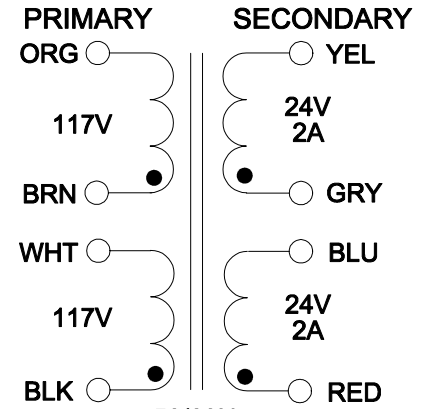


DIMENSIONS:	
A	2.813" ±0.063
B	2.850" ±0.125
C	3.375" ±0.063
D	2.250" ±0.063
E	2.500" ±0.063
F	3.062" ±0.063
G	0.203" X 0.375" ±0.015



NOTE: ALL LEADS 6" LONG OUT MIN.



50/60Hz  
 FOR 234V: CONNECT WHT & BRN  
 FOR 117V: CONNECT ORG & WHT, BRN & BLK  
 FOR SERIES 48V @ 2A CONNECT GRY & BLU  
 FOR PARALLEL 24V @ 4A CONNECT YEL & BLU, RED & GRY

ELECTRICAL DATA:		
TESTS	CONDITIONS	ACCEPTANCE CRITERIA
I <sub>ex</sub>	@ 117V, 60Hz, BLK - WHT	332mA Max.
Sec. N.L.V	@ 117V, 60Hz, BLK - WHT	
	BRN - ORG =	117.0V ±2%
	YEL - GRY =	25.46V ±2%
	BLU - RED =	25.46V ±2%
DCR	@ 20°C, BLK - WHT =	5.450 Ω ±20%
	@ 20°C, BRN - ORG =	5.996 Ω ±20%
	@ 20°C, YEL - GRY =	0.356 Ω ±20%
	@ 20°C, RED - BLU =	0.384 Ω ±20%
HIPOT	PRIMARY - SECONDARY	2000V, 60Hz, 1 SEC

REV.#	REVISION	DATE	HAMMOND MANUFACTURING™		ELECTRONIC DIVISION	
0	RELEASED.	C.I. 01/18/17	52 RANKIN PLACE, WATERLOO, ONTARIO, N2J 3Z5		PH # (519) 886-6181 FAX # (519) 886-9540	
			DWG. BY: C. ILIE	CHK'D BY:	TITLE: POWER TRANSFORMER	DWG. NO. 266L48
			DATE: 01/18/17	APP'D. BY:		
				DIMENSIONS: IN(X) MM( )		