

About the advantages of our innovative **EVOLUTION** winding technology

MUNDORF

www.mundorf.com



The main feature of the EVOLUTION winding technology comes with its unusual narrow but high capacitor reel. This geometry results in two, acoustically clearly perceptible benefits in comparison to traditional, easier to produce capacitors. Firstly, a shorter but utmost little loss signal path between huge contact areas is granted, thus an extreme low equivalent series resistance/ESR. Secondly, in order to meet capacitance the number of paralleled windings is larger than with regular caps, thus an effectively minimized equivalent series inductivity/ESL.

The launch for this special winding technology took already place in the year 2005 with the MCap® RXF (Radial eXtra Flat). Labelled as MCap® EVO professional this line is being continued for industrial PA- and HiFi manufacturers. In order to ease the employment of this extraordinary winding technology for HighEnd audio manufacturers and ambitious hobbyists, we will introduce three new axial MCap® EVO series and, shortly.

After the utmost precise winding process, these reels are spilled by hand in especially developed housings. By that, vibrations and microphonic effects on the reel are most effective avoided. Furthermore, we only employ purest Polypropylene foil vaporized with the thickest metal layer possible.

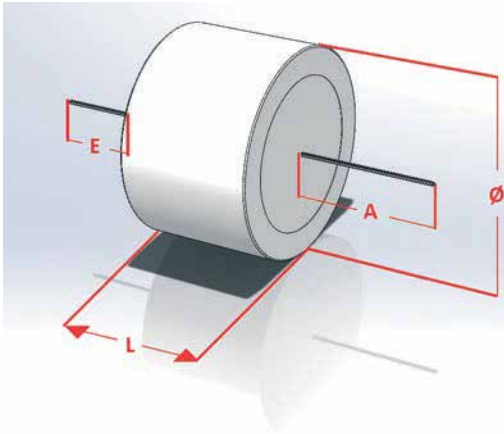
Altogether, the new **MCap® EVO's**, special features lead to colorful livelihood, remarkable micro dynamic alongside enhanced transparency, authenticity and 3 dimensional stereophony. As the direct successor of the RXF, the **MCap® EVO** marks the surprisingly inexpensive entry into the audiophile **MCap® EVO** line-up.

The **MCap® EVO Oil** combines the described sound characteristic in a perfect way with the acoustical advantages of oil impregnated capacitors. Furthermore, its additional wrapping as well as its imprint in red-metallic impart an appropriate quality look and haptic.

The top-of-the-line **MCap® EVO SilverGold.Oil** series unites the audible features of a SilverGold metallization with those of an Oil impregnation to a breathtakingly beautiful music performance. The beauty of the **MCap® EVO SilverGold.Oil's** music performance is only surpassed by Mundorf's top-line SUPREME.



About the advantages of our innovative EVOLUTION winding technology



The main feature of the EVOLUTION winding technology comes with its unusual narrow but high capacitor reel. This geometry results in two, acoustically clearly perceptible benefits in comparison to traditional, easier to produce capacitors. Firstly, a shorter but utmost little loss signal path between huge contact areas is granted, thus an extreme low equivalent series resistance/ESR. Secondly, in order to meet capacitance the number of paralleled windings is larger than with regular caps, thus an effectively minimized equivalent series inductivity/ESL. After the utmost precise EVO winding process, these reels are spilled by hand in especially developed housings. By that, vibrations and microphonic effects on the reel are most effectively avoided. Furthermore, we only employ purest Polypropylene foil vaporized with the thickest metal layer possible. Plus the unusual asymmetric wire lengths allow both mounting directions on PC boards, horizontal and vertical.



MCap® EVO



Altogether, the new **MCap® EVO's**, above mentioned features lead to colorful liveliness, remarkable micro dynamic alongside enhanced transparency, authenticity and 3 dimensional stereophony. As the direct successor of the RXF, the MCap® EVO marks the surprisingly inexpensive entry into the audiophile EVO line-up.

MCap EVO axial

Capacity [µF]	VDC	Body Ø* L [mm]
0,010 ±3	450	5 * 12
0,10 ±3	450	18 * 12
0,15 ±3	450	16 * 14
0,22 ±3	450	16 * 14
0,27 ±3	450	18 * 14
0,33 ±3	450	18 * 14
0,39 ±3	450	20 * 14
0,47 ±3	450	20 * 14
0,56 ±3	450	22 * 16
0,68 ±3	450	22 * 16
0,82 ±3	450	25 * 16
1,00 ±3	450	25 * 16
1,50 ±3	450	30 * 16
1,80 ±3	450	25 * 21
2,20 ±3	450	25 * 21
2,70 ±3	450	30 * 21
3,30 ±3	450	30 * 21
3,90 ±3	450	25 * 27
4,70 ±3	450	30 * 27
5,60 ±3	450	30 * 27
6,80 ±3	450	35 * 27
8,20 ±3	450	35 * 27
10 ±3	450	40 * 27
12 ±3	450	35 * 35
15 ±3	450	40 * 35
18 ±3	450	50 * 35
22 ±3	450	50 * 35
33 ±3	450	65 * 35
47 ±3	350	50 * 50
56 ±3	350	65 * 50
68 ±3	350	65 * 50
82 ±3	350	75 * 50
100 ±3	350	75 * 50
150 ±5	250	50 * 90
220 ±5	250	65 * 90
270 ±5	250	65 * 90
330 ±5	250	75 * 90



The **MCap® EVO Oil** combines the MCap® EVO's sound characteristic in a perfect way with the acoustical advantages of oil impregnated capacitors. Furthermore, its additional wrapping as well as its imprint in red-metallic impart an appropriate quality look and haptic.

MCap® EVO Oil



MCap EVO Oil axial

Capacity [µF]	VDC	Body Ø* L [mm]	Wire Ø* E/A [mm]
0,010 ±5	450	5 * 12	0,6 * 35/35
0,10 ±3	450	18 * 12	0,6 * 35/35
0,15 ±3	450	16 * 14	0,8 * 35/50
0,22 ±3	450	16 * 14	0,8 * 35/50
0,33 ±3	450	18 * 14	0,8 * 35/50
0,47 ±3	450	20 * 14	0,8 * 35/50
0,68 ±3	450	22 * 16	0,8 * 35/50
1,00 ±3	450	25 * 16	0,8 * 35/50
1,50 ±3	450	30 * 16	0,8 * 35/50
2,20 ±3	450	25 * 21	0,8 * 35/50
2,70 ±3	450	30 * 21	0,8 * 35/50
3,30 ±3	450	30 * 21	0,8 * 35/50
3,90 ±3	450	25 * 27	0,8 * 35/50
4,70 ±3	450	30 * 27	1,0 * 35/60
5,60 ±3	450	30 * 27	1,0 * 35/60
6,80 ±3	450	35 * 27	1,0 * 35/60
8,20 ±3	450	35 * 27	1,0 * 35/60
10 ±3	450	40 * 27	1,0 * 35/60
15 ±3	450	40 * 35	1,0 * 35/75
22 ±3	450	50 * 35	1,0 * 35/75
33 ±3	450	65 * 35	1,2 * 45/90
47 ±3	350	50 * 50	1,2 * 45/90
68 ±3	350	65 * 50	1,4 * 50/105
100 ±3	350	75 * 50	1,4 * 50/105



MCap® EVO SilverGold.Oil

The all-new **MCap® EVO SilverGold.Oil** unites the audible features of the MCap® EVO Oil with those of a SilverGold metallization to a breathtakingly beautiful music performance. The beauty of the MCap® EVO SilverGold.Oil's music performance is only surpassed by Mundorf's top-line SUPREME capacitors.



MCap EVO SilverGold.Oil axial

Capacity [μF]	VDC	Body Ø* L [mm]	Wire Ø* E/A [mm]
0,010 ±3	450	5 * 12	0,6 * 35/35
0,10 ±3	450	18 * 12	0,6 * 35/35
0,15 ±3	450	16 * 14	0,8 * 35/50
0,22 ±3	450	16 * 14	0,8 * 35/50
0,33 ±3	450	18 * 14	0,8 * 35/50
0,47 ±3	450	20 * 14	0,8 * 35/50
0,68 ±3	450	22 * 16	0,8 * 35/50
1,00 ±3	450	25 * 16	0,8 * 35/50
1,50 ±3	450	30 * 16	0,8 * 35/50
2,20 ±3	450	25 * 21	0,8 * 35/50
2,70 ±3	450	30 * 21	0,8 * 35/50
3,30 ±3	450	30 * 21	0,8 * 35/50
3,90 ±3	450	25 * 27	0,8 * 35/50
4,30 ±3	450	30 * 27	1,0 * 35/60
4,70 ±3	450	30 * 27	1,0 * 35/60
5,10 ±3	450	30 * 27	1,0 * 35/60
5,60 ±3	450	30 * 27	1,0 * 35/60
6,20 ±3	450	35 * 27	1,0 * 35/60
6,80 ±3	450	35 * 27	1,0 * 35/60
7,50 ±3	450	35 * 27	1,0 * 35/60
8,20 ±3	450	35 * 27	1,0 * 35/60
10 ±3	450	40 * 27	1,0 * 35/60
15 ±3	450	40 * 35	1,0 * 35/75
22 ±3	450	50 * 35	1,0 * 35/75
33 ±3	450	65 * 35	1,2 * 45/90
47 ±3	350	50 * 50	1,2 * 45/90
68 ±3	350	65 * 50	1,4 * 50/105
100 ±3	350	75 * 50	1,4 * 50/105