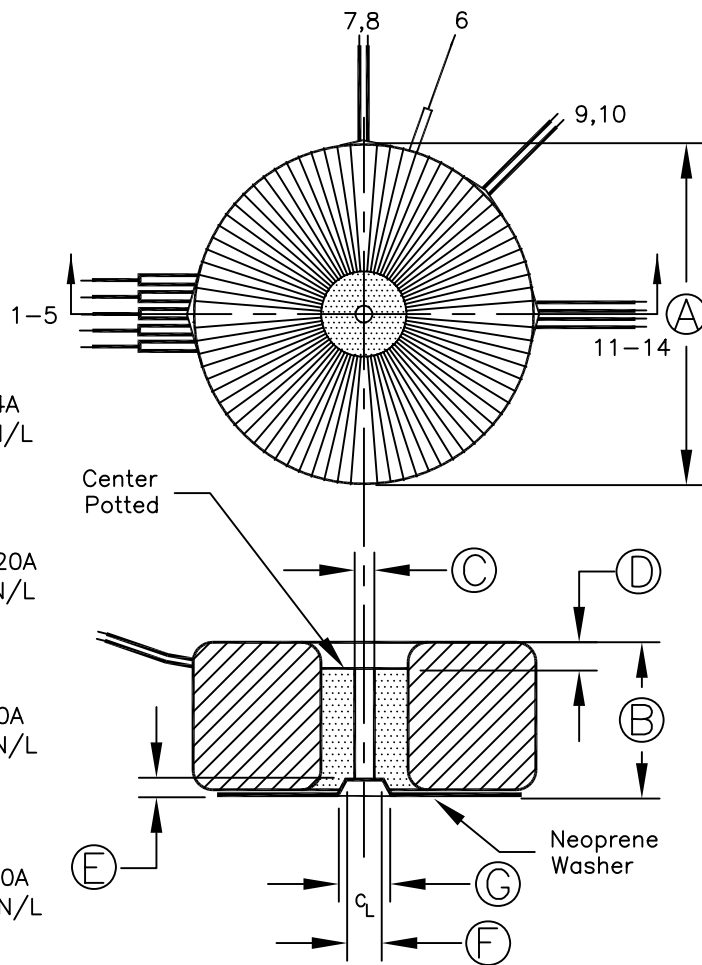
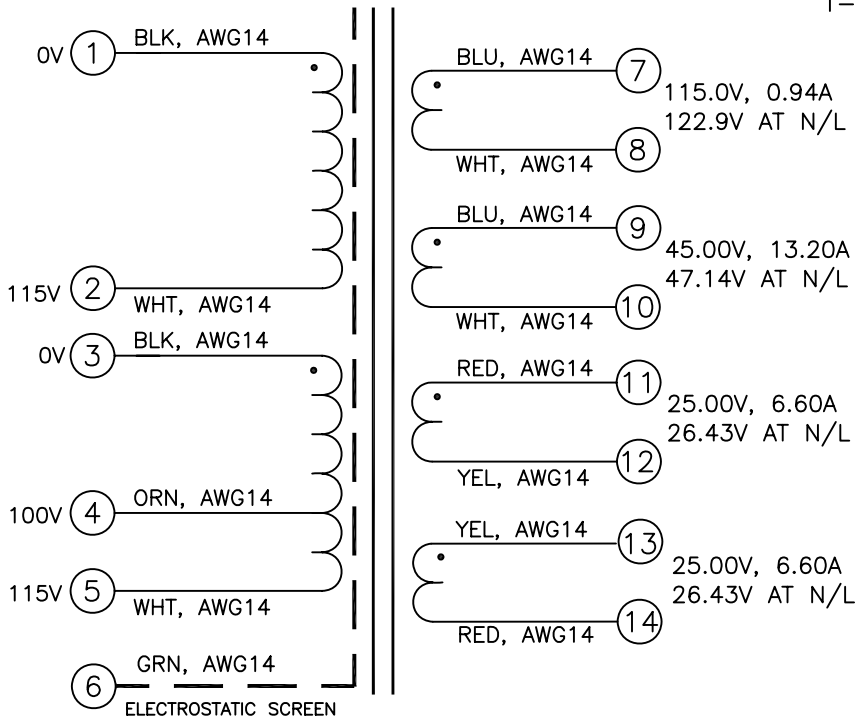


(CUSTOMER: PLITRON)

POWER:	VA	1032
TEMPERATURE RISE:	°C	*54
EFFICIENCY:	%	*94
WEIGHT:	kg	*7.4
FREQUENCY:	Hz	50-60



DIMENSIONS				
REF	Unit:	(nom)	(max)	TOLERANCE
A	mm	*168		
B	mm	*72		
C	inch	3/8		
D	mm	11		±3
E	mm	11.5		
F	mm	30		
G	mm	44.5		

LABEL

PLITRON MANUFACTURING INC.
 11013-X0-00 DATE CODE F:50/60Hz
 INPUT: (0-100-115 0-115VAC)

CE
 RoHS C
 UL US

LEADS	LENGTH +19mm/-6mm	TERMINATION
1-5	140	STRIP 5mm ±5mm
6	216	AMP 36160 #10 RING 16-14
7	292	STRIP 5mm ±5mm
8-10	279	STRIP 5mm ±5mm
11-14	140	STRIP 5mm ±5mm

NOTES:

1. UL recognised under UL File No.E156800 to UL506, CSA 22.2 No.66-1988 Class A(105°C) Insulation System.
2. Leads breakout with no specific sequence.
3. All stranded leads are rated for 105°C, 600V minimum.
4. All leads are identified with the corresponding number 2cm from the free end.

* Calculated value

V=VAC rms A=I rms

C/T= Center Tap

N/L= No load

plitron
 TOROIDAL POWER PRODUCTS
 engineered to perform like no others
 Plitron Manufacturing Inc.
 Toronto, Canada
 M3J 3J2
 www.plitron.com

This document is the property of Plitron Manufacturing Inc. It is not to be copied or transmitted or used as the basis for manufacturing of apparatus without written permission.
 Copyright Plitron Manufacturing Inc.

TOROIDAL POWER TRANSFORMER

DESIGN BY:	E.TAM	DATE:	05/07/2010	DWG NO.	11013-X0-00
DRAWN BY:	R.C.	DATE:	05/13/2010		
CHECKED BY:		DATE:		SCALE	N/A
APPROVED BY:		DATE:			