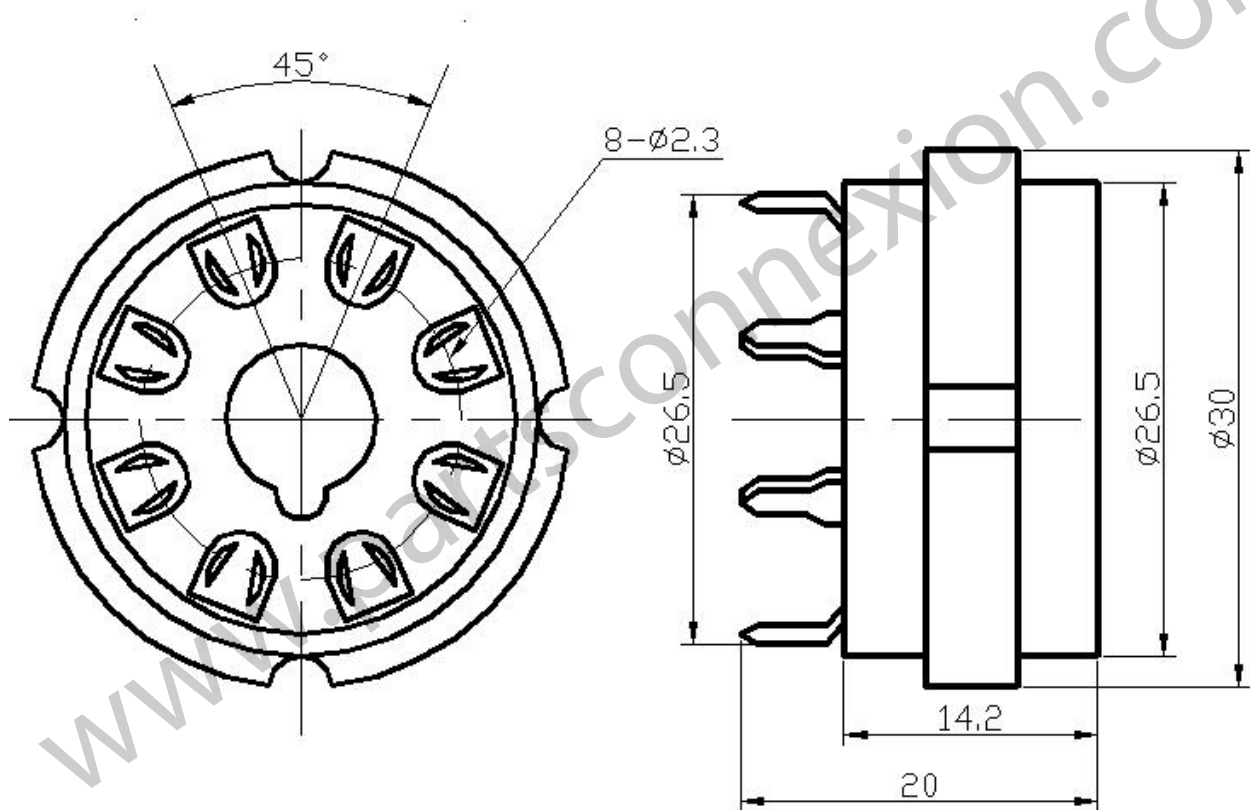


## 8 Pin PCB Tube Socket:

(w/ cup style contacts)

**SOCKET-55291 (Silver)**

**SOCKET-59015 (Gold)**



Toll Free: 1-866-681-9602 • Local: 905-681-9602 • Fax: 905-631-5777  
Shipping Address: 5109 Harvester Rd, Unit B2 • Burlington • Ontario • Canada • L7L 5Y4  
Website: [www.partsconnexion.com](http://www.partsconnexion.com) • Email: [info@partsconnexion.com](mailto:info@partsconnexion.com)