

# LYN/LXN ラグ端子複素子形 85°C オーディオ用 series, Lug Terminal for Audio Amplifier



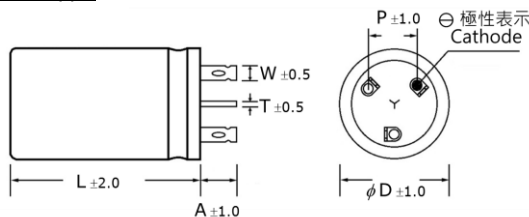
- 専用に開発された低倍率・余裕をもたせた高圧箔採用による低 ESR、耐リップルの大型サイズ  
Featured with low ESR & high ripple current capability for vacuum tube amplifier
- 複素子形標準品  
Designed with single & dual capacitances for option
- 85°C 2,000 時間保証  
Life guaranteed 2,000 hours/85°C.
- 定格電圧範囲 Rated voltage range : 350 ~ 450V
- 静電容量範囲 Capacitance range : 10 ~ 470 $\mu$ F
- RoHS 指令対応済/RoHS Compliant/Non solvent proof type

## ■ 仕様 SPECIFICATIONS

| 項目 Items  | 性能 Characteristics  |   |      |      |              |
|---|---|---|------|------|--------------|
| カテゴリ温度範囲<br>Operating Temperature Range         | -25 + 85°C  |   |      |      |              |
| 定格電圧範囲<br>Rated Voltage Range                   | 350V ~ 500V   |   |      |      |              |
| 静電容量範囲<br>Nominal Capacitance Range             | 10 ~ 470 $\mu$ F  |   |      |      |              |
| 静電容量許容差<br>Capacitance Tolerance                | $\pm 20\%$ (120Hz, 20°C)  |   |      |      |              |
| 漏れ電流<br>Leakage Current                         | I $\leq$ 0.03CV または 5 mA のいずれかの大きい値以下(5分値)<br>I $\leq$ 0.03CV or 5 mA, whichever is smaller after 5 minutes application of rated voltage.<br>I : 漏れ電流 ( $\mu$ A ) C : 静電容量 ( $\mu$ F ) V : 定格電圧 ( Vdc )   |   |      |      |              |
| 損失角の正接<br>Dissipation Factor                    | 定格電圧(V) Rated voltage   | 350   | 450  | 500  | 120 Hz, 20°C |
|   | Tan $\delta$ (max.)   | 0.20  | 0.25 | 0.25 |              |
| Tan $\delta$ spec. for one single terminal only |   |   |      |      |              |
| 温度特性<br>Temperature Characteristics             | インピーダンス比 Impedance Ratio  |   |      |      |              |
|   | 定格電圧(V) Rated voltage   | 350   | 450  | 500  | 120 Hz       |
| Z(-25°C) / Z(+20°C)                             |   |   |      |      |              |
| 8   |   |   |      |      |              |
| 高温負荷特性<br>Load Life                             | 85°Cにおいて定格電圧を超えない範囲で規定の定格リップル電流を重量して、2,000時間電圧印加後、20°Cに復帰させ測定を行なったとき、下記を満足すること<br>After life test with rated ripple current & voltage at 85°C 2,000 hours, capacitors shall meet the characteristics requirements listed below.   |   |      |      |              |
|   | 静電容量変化率 Capacitance change  | 初期値の $\pm 20\%$ 以内 Within $\pm 20\%$ of initial value |      |      |              |
|   | 損失角の正接 Dissipation Factor   | 初期規格値の 200%以下 200% or less of initial specified value |      |      |              |
|   | 漏れ電流 Leakage current  | 初期規格値以下 Initial specified value or less               |      |      |              |
| 高温無負荷特性<br>Shelf Life                           | 85°Cにおいて電圧を印加せず 500 時間放置後、20°Cに復帰させ試験前処理 (JIS C5101-4 4.1 項)の後、測定を行なったとき、下記を満足すること<br>After leaving capacitors under no load at 85°C for 500 hours and applying voltage according to JIS C5101-4 4.1, they meet the specified value for the characteristics listed below. |   |      |      |              |
|   | 静電容量変化率 Capacitance change  | 初期値の $\pm 20\%$ 以内 Within $\pm 20\%$ of initial value |      |      |              |
|   | 損失角の正接 Dissipation Factor   | 初期規格値の 200%以下 200% or less of initial specified value |      |      |              |
|   | 漏れ電流 Leakage current  | 初期規格値以下 Initial specified value or less               |      |      |              |
| 表示 Marking                                      | 黒色チューブに金色印刷 Golden print on black sleeve  |   |      |      |              |
| 関連規格 Applicable Standard                        | JIS C-5141 特性 W Characteristics W of JIS C-5141   |   |      |      |              |

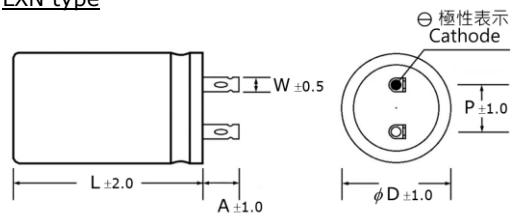
## ■ 寸法図 Dimensions (mm)

LYN type



| $\phi$ D | A   | W   | T   | P |
|----------|-----|-----|-----|---|
| 25       | 8.5 | 4.5 | 0.7 | 7 |
| 35       | 8.5 | 4.5 | 0.7 | 9 |

LXN type



unit : mm

| D $\phi$ | A   | W   | T   | P     |
|----------|-----|-----|-----|-------|
| 25       | 8.5 | 4.5 | 0.7 | 10    |
| 30       | 8.5 | 4.5 | 0.7 | 10    |
| 35       | 8.5 | 4.5 | 0.7 | 10    |
| 51       | 8.5 | 4.5 | 0.7 | 18/20 |

■ 品名コード体系 Part Numbering (例 example: 500V 100 μF 35x110mm)

|                      |   |                       |                     |  |                     |   |   |   |   |   |   |   |   |
|----------------------|---|-----------------------|---------------------|--|---------------------|---|---|---|---|---|---|---|---|
| L                    | Y | N                     | 2                   | H  | 1                   | 0 | 1 | M | 3 | 5 | 1 | 1 | 0 |
| シリーズ名<br>Series Name |   | 定格電圧<br>Rated Voltage | 静電容量<br>Capacitance | 容量許容差<br>Capacitance<br>Tolerance (±20%) | サイズコード<br>Size code |   |   |   |   |   |   |   |   |

■ LYN 寸法図 Standard Products Table (複素子形/Dual capacitances/3 Terminals)

Dφ x L (mm)

| WV.DC<br>Cap.(μF) | Code<br>コード | 350 (2V)          |  | 450 (2W)          |  | 500 (2H)          |  |
|-------------------|-------------|-------------------|--|-------------------|--|-------------------|--|
|                   |             | サイズ<br>Size (DxL) | 許容リプル電流<br>Ripple current<br>Arms/85°C,120Hz | サイズ<br>Size (DxL) | 許容リプル電流<br>Ripple current<br>Arms/85°C,120Hz | サイズ<br>Size (DxL) | 許容リプル電流<br>Ripple current<br>Arms/85°C,120Hz |
| 10 + 10           | 100         | 25 x 30           | 100  | 25 x 40           | 110  | 25 x 40           | 170  |
| 22 + 22           | 220         | 25 x 40           | 150  | 25 x 50           | 160  | 25 x 65           | 210  |
| 33 + 33           | 330         | 25 x 50           | 170  | 25 x 65           | 200  | 25 x 70           | 245  |
| 47 + 47           | 470         | 25 x 65           | 220  | 35 x 60           | 200  | 35 x 70           | 270  |
| 100 + 100         | 101         | 35 x 70           | 550  | 35 x 100          | 550  | 35 x 110          | 650  |

• 定格リプル電流規格は片側端子の値 Allowable ripple current showed above is for each single terminal .

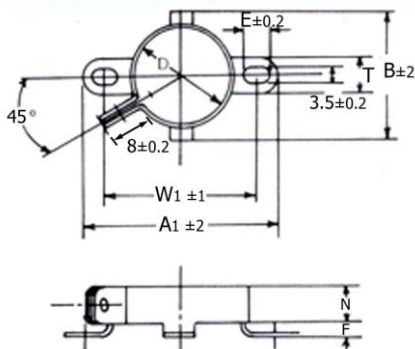
■ LXN 寸法図 Standard Products Table (2 Terminals)

| WV.DC<br>Cap.(μF) | Code<br>コード | 350 (2V)          |  | 450 (2W)          |  | 500 (2H)          |  |
|-------------------|-------------|-------------------|--|-------------------|--|-------------------|--|
|                   |             | サイズ<br>Size (DxL) | 許容リプル電流<br>Ripple current<br>Arms/85°C,120Hz | サイズ<br>Size (DxL) | 許容リプル電流<br>Ripple current<br>Arms/85°C,120Hz | サイズ<br>Size (DxL) | 許容リプル電流<br>Ripple current<br>Arms/85°C,120Hz |
| 10                | 100         |                   |  |                   |  | 25 x 30           | 190  |
| 22                | 220         |                   |  | 25 x 30           | 210  | 25 x 30           | 210  |
| 33                | 330         |                   |  | 25 x 40           | 230  | 25 x 40           | 250  |
| 47                | 470         | 25 x 40           | 240  | 25 x 50           | 280  | 30 x 50           | 355  |
| 100               | 101         | 25 x 50           | 430  | 30 x 63           | 550  | 35 x 63           | 600  |
| 220               | 221         | 30 x 63           | 880  | 35 x 80           | 1010   | 35 x 100          | 1100   |
| 330               | 331         | 35 x 63           | 1100   | 51 x 63           | 1300   | 51 x 80           | 1390   |
| 470               | 471         | 35 x 80           | 1500   | 51 x 80           | 1600   | 51 x 100          | 1800   |

• 許容リプル電流周波数補正係数 Frequency coefficient of allowable ripple current

| WV /周波数 Frequency | 50 Hz | 120 Hz | 1 KHz | 10 KHz | 50 KHz |
|-------------------|-------|--------|-------|--------|--------|
| 350 ~ 500V        | 0.75  | 1.00   | 1.15  | 1.30   | 1.41   |

• バンド Mounting Holder



unit : mm

| φD | W <sub>1</sub> | A <sub>1</sub> | B  | E   | N  | F |
|----|----------------|----------------|----|-----|----|---|
| 25 | 44             | 55             | 40 | 7.0 | 10 | 5 |
| 35 | 50             | 60             | 50 | 5.5 | 12 | 6 |