

# WBT-0735

## classic pole terminal

for cabinet mounting; for cables up to 6.0 mm<sup>2</sup> (9 AWG)

US Patent 5,226,841

The Midline pole terminal WBT-0735 is manufactured from one single piece of copper alloy following the principle of a strict 'single-piece-construction'. Thanks to this unnecessary transition resistances are reliably avoided. To protect the high conductivity of the base material against corrosion a 24 carat multi layer gold plating is applied. The clamping nut is designed to provide a perfect grip. Its two-piece construction furthermore is gentle to the strands of bare wire and maintains the continuous high contact pressure of the connection. Again an important factor to effectively avoid transition resistances.



### Termination options

WBT-0735 is perfectly designed to accept 4 mm banana plugs in the front part of its adjusting nut. Thanks to WBT's patented adjusting nut system also spade lugs as well as crimped cable ends up to 6 mm<sup>2</sup> (9 AWG) can be clamped very effectively in the WBT-0735. Especially the free running compression pad of the two-pieces adjusting nut construction insures constant contact pressure. Its cross-milled surface furthermore prevents from shearing the cable strands in case bare wire is used.

### Internal termination

WBT-0735 adopts cables up to 10 mm<sup>2</sup> (7 AWG). Recommended cable connection: crimp technique. Cable ends can be perfectly fastened by the means of Torx\* screw and the corresponding Torx screwdriver (T.6) supplied with the pole terminal. If soldering is chosen, WBT recommends application of the silver solder WBT-0800 or WBT-0805 which are gentle on precious metal surfaces.

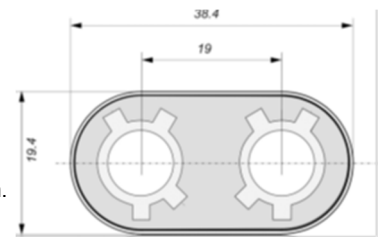
### For bi-wiring

If you want to use your WBT-0735 for bi-wiring in combination with the Power Bridges WBT-0725, the terminals need to be installed separately without the connection bracket at a minimum distance of 30 mm (from center to center). The distance to the second pair of terminals needs to be 60 mm exactly.

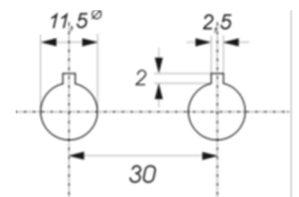
### Build-in constructions

The pole terminals WBT-0735 are suitable for mounting on measuring and gain control amplifier as well as transducer with wall thickness from 0.5 to 10 mm. You can mount your WBT-0735 whether with the connection bracket or separately (without the bracket).

- **with connection bracket** (for wall thickness from 0.5 to 5 mm).  
Narrow position of the terminals with just 19 mm distance from one terminal center to the next. Recommended in case 19 mm double bananas are used. At this distance the black puzzle plates can be clipped together. This WBT build-in conception protects your WBT-0735 reliably from rotation. Using this way of mounting one should shorten the puzzle plates at the breaking point.
- drill hole of 11.0 mm dia.
- part which stand out of panel: 34.3 mm
- the terminal can be installed in steps of 45°
- **separately**, without the bracket (for wall thickness from 0.5 to 10 mm)  
If you mount them separately, you are free to choose any distance. WBT suggests a distance of 30 mm, since the black puzzle plates can be clipped together in this case. This WBT build-in conception protects your WBT-0735 reliably from rotation. Also if this way of mounting is chosen the terminals will be insulated to the cabinet.
- drill hole of 11.5 mm dia., with nut 2.5 x 2 mm for twist protection
- part which stands out of the panel: 29 mm

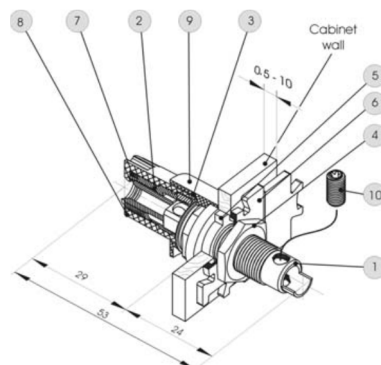


drilling scheme



(all measures in mm)

- ① Base element
- ② Adjusting nut
- ③ free-running compression pad
- ④ Counternut
- ⑤ Double step washer with nose
- ⑥ Puzzle plate
- ⑦ Marking ring
- ⑧ Insulation cap, transparent
- ⑨ Insulation bowl, transparent
- ⑩ Torx screw



### Operating features

- constant current  $I_D \geq 70 \text{ A}$
- peak current  $I_S \geq 250 \text{ A}$
- transition resistance  $R_D \leq 0.1 \text{ m}\Omega$

**Important: The pole terminal WBT-0735 is only permitted for low voltage application.**

\* Torx is a registered trademark of Camcar Textron, USA.

WBT and nextgen are registered trademarks of WBT Germany.

Detailed product information available. Design and specifications subject to change without notice.