

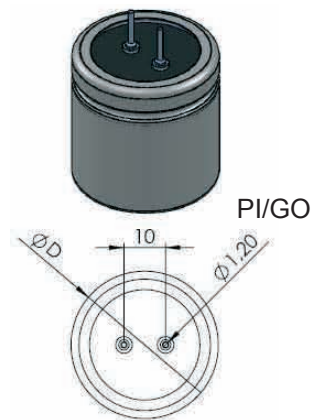
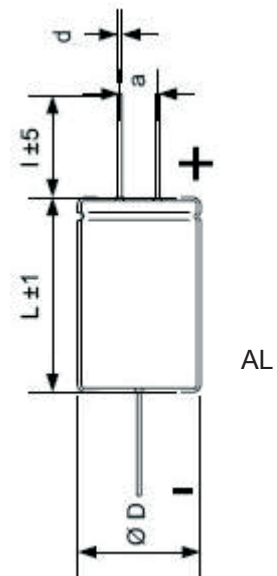
Power Capacitors

Mlytic HV



The **Mlytic® HV · High Voltage Power Cap** series offers all benefits of Mundorf's unique Mlytic® technology as described in detail on page 6 plus the following features:

Supply availability	Typically immediately ex stock for all types listed on page 23 4-6 weeks for your individual combination of features · from 144pcs only
Versatile applicable	RoHS-compliant · lead free REACH compliant Finest UL-listed ingredients only Sectional specification DIN 41332 · IEC 60384-4 Climatic category IEC 60068 40/105/56
Indication of origin	Made in Germany with greatest care
Capacitance range	4,7µF to 4 700µF
DC voltage range	250 · 350 · 400 · 450 · 500 · 550
Temperature range	-25°C/-13°F to 105°C/+220°F for 250V to 450V -40°C/-40°F to 85°C/+185°F for 500V to 550V
Diverse connectors	AL · axial leaded PI · plug-in GO · glue-on SL · solder-lugs
Useful lifetime [U _R · I _{R-}]	8 000 hours at +105°C/+220°F for 250V to 450V 16 000 hours at +85°C/+185°F for 250V to 450V 8 000 hours at +85°C/+185°F for 500V to 550V
Rated lifetime [U _R]	2 000 hours at +105°C/+220°F for 250V to 450V 2 000 hours at +125°C/+255°F for 500V to 550V
Case diameters [mm]	10 · 12 · 14 · 16 · 18 · 20 · 25 · 30 · 35 · 40 · 45
Case heights [mm]	Customized from 25 to 100 [typically in 5mm steps]
Case diameters [inch]	0.39 · 0.47 · 0.55 · 0.63 · 0.71 · 0.79 · 0.98 · 1.18 · 1.38 · 1.57 · 1.77
Case heights [inch]	Customized from 0.98 to 3.94 [typically in 0.2inch steps]
External insulation	Lead free PVC sleeve with end disk · voltage proof ≥2500 AC
Leakage current [I _L]	≤ 0,008 * C _R [µF] * U _R [V] + 6µA after 5 minutes at U _R
[ESL]	20nH equivalent series inductance
Maximal reverse voltage	2V



Power Capacitors MLytic HV

30! Years Inner Excellence

The **MLytic® HV • High Voltage Power Cap series** is especially engineered for use in tube amplifiers. Two classic double-capacity versions and two contemporary 2-pin layouts are available ex stock.

The ultra compact, axial leaded **MLAL** capacitors feature non-magnetic, tinned copper wires.

The superior **MLSL** 500V offers more powerful, non-magnetic DIN connectors for higher currents.

The snap-in intermateable **MLGO** capacitors offer non-magnetic, straight, tinned copper wires \varnothing 1.2mm \approx AWG17. Additionally they own a vibration-reducing, traction-relieving, self-adhesive MPSA • Mounting Pad.



MLAL

High Voltage electrolyte Twin-Power Cap, Axial-Leaded, 3Pin

Rated Voltage [VDC]	Capacitance [μ F] \pm 20%	Case Size \varnothing * L [mm]	Wire Size \varnothing * L [mm]	Rated Ripple Current IR~ at Tmax and 100Hz [A]	Surge Voltage [VDC]	ESR at 100 Hz [mOhm]	Tan δ @ 100Hz	Nominal Current IR for 5 Min. [μ A]	[€]
450	47+47	30 * 50	1,4 * 50	0,3	495	3386	10	600	12,90
450	100+100	35 * 50	1,4 * 50	0,5	495	1592	10	270	14,90

MLAL

High Voltage Power Cap, Axial-Leaded, 2Pin

Rated Voltage [VDC]	Capacitance [μ F] \pm 20%	Case Size \varnothing * L [mm]	Wire Size \varnothing * L [mm]	Rated Ripple Current IR~ at Tmax and 100Hz [A]	Surge Voltage [VDC]	ESR at 100 Hz [mOhm]	Tan δ @ 100Hz	Nominal Current IR for 5 Min. [μ A]	[€]
500	10	16 * 39	0,8 * 40	0,1	550	9549	6	30	3,99
500	22	21 * 36	0,8 * 40	0,2	550	4341	6	66	5,99
500	33	25 * 38	0,8 * 40	0,3	550	2894	6	100	7,99
500	47	25 * 49	0,8 * 40	0,4	550	2032	6	142	9,99
500	100	30 * 49	1,0 * 40	0,6	550	955	6	300	14,90

MLSL

High Voltage Electrolyte Twin-Power Cap, Solder-Lugs, 3Pin

Rated Voltage [VDC]	Capacitance [μ F] \pm 20%	Case Size \varnothing * L [mm]	Wire Size \varnothing * L [mm]	Rated Ripple Current IR~ at Tmax and 100Hz [A]	Surge Voltage [VDC]	ESR at 100 Hz [mOhm]	Tan δ @ 100Hz	Nominal Current IR for 5 Min. [μ A]	[€]
500	50+50	35 * 50	1 * 4 * 7	0,4	550	3183	10	400	16,90
500	100+100	35 * 66	1 * 4 * 7	0,5	550	1592	10	300	21,90
500	200+200	35 * 80	1 * 4 * 7	0,8	550	796	10	600	39,90

MLGO

High Voltage Power Cap, Glue-On, 2Pin

Rated Voltage [VDC]	Capacitance [μ F] \pm 20%	Case Size \varnothing * L [mm]	Wire Size \varnothing * L [mm]	Rated Ripple Current IR~ at Tmax and 100Hz [A]	Surge Voltage [VDC]	ESR at 100 Hz [mOhm]	Tan δ @ 100Hz	Nominal Current IR for 5 Min. [μ A]	[€]
450	100	25 * 30	1,2 * 9	0,3	495	2387	15	270	11,90
450	150	30 * 30	1,2 * 9	0,5	495	1592	15	406	13,90
450	220	30 * 40	1,2 * 9	0,6	495	1085	15	594	16,90
450	330	35 * 40	1,2 * 9	0,8	495	723	15	892	19,90
450	470	35 * 50	1,2 * 9	1,1	495	508	15	1270	24,90
450	680	35 * 60	1,2 * 9	1,4	495	351	15	1836	31,90